

The Kathrein Scala Division YA7-FML and YA7-FMH are ruggedly built yagi antennas, designed for professional FM transmit and receive applications.

Like all Kathrein Scala Division antennas, the YA7-FML and YA7-FMH are made of the finest materials using state of the art electrical and mechanical designs, resulting in superior performance and long service life.

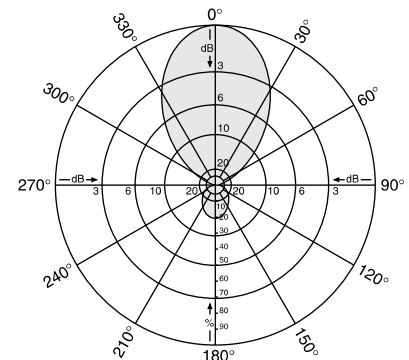
The YA7-FML and YA7-FMH may be used stand-alone or in stacked arrays for higher gain, increased side-lobe suppression, or custom azimuth patterns.

**Specifications:**

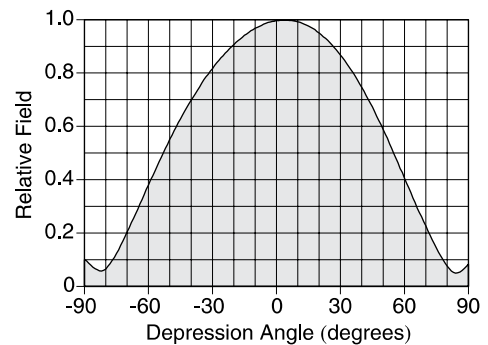
Frequency range	YA7-FML	88–98 MHz
	YA7-FMH	98–108 MHz
Gain	7 dBd	
Power gain	5.01	
Impedance	50 ohms	
VSWR	< 1.35:1	
Polarization	Horizontal or vertical	
Front-to-back ratio	13 dB	
Maximum input power	500 watts	
Azimuth pattern	56 degrees (half-power) horizontal polarization	
Elevation pattern	83 degrees (half-power) horizontal polarization	
Connector	Female 50Ω N	
Weight	22 lb (10 kg) maximum	
Dimensions	85 x 66 x 5 inches maximum (2159 x 1676 x 127 mm)	
Wind load	at 100 mph (160 kph)	
Front	85 lbf (375 N)	
Wind survival rating*	100 mph (160 kph)	
Shipping dimensions	87 x 13 x 8 inches maximum (2210 x 330 x 203 mm)	
Shipping weight	28 lb (12.7 kg) maximum	
Mounting	For masts of 2.375 inches (60 mm) OD.	
	<b>YA7-FML/HCM</b>	Center-mount 88–98 MHz
	<b>YA7-FML/URM</b>	Rear-mount 88–98 MHz
	<b>YA7-FMH/HCM</b>	Center-mount 98–108 MHz
	<b>YA7-FMH/URM</b>	Rear-mount 98–108 MHz

See reverse for order information.

\* Mechanical design is based on environmental conditions as stipulated in TIA-222-G-2 (December 2009) and/or ETS 300 019-1-4 which include the static mechanical load imposed on an antenna by wind at maximum velocity. See the Engineering Section of the catalog for further details.



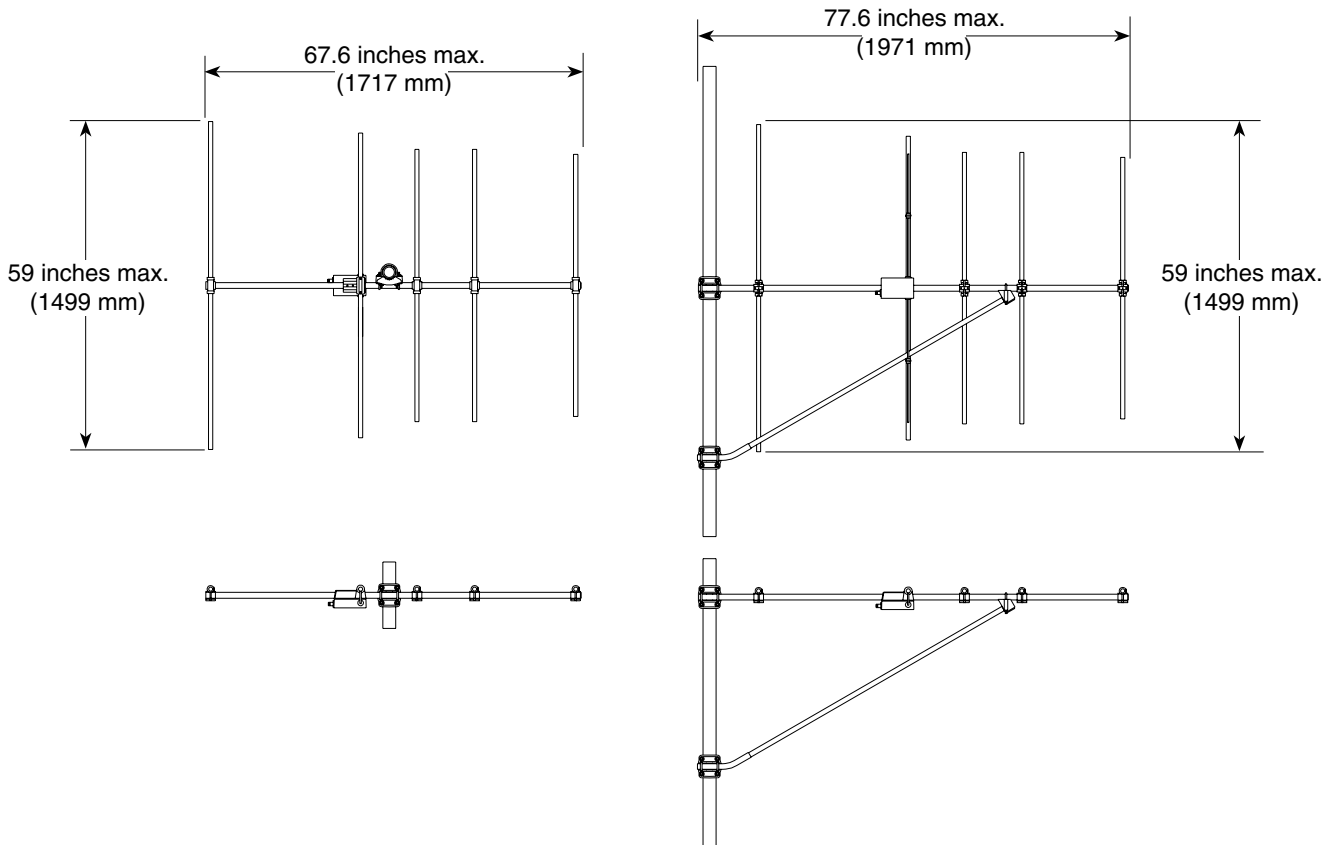
**Azimuth pattern (E-plane)**



**Elevation pattern (H-plane)**



10723-B



**Order Information:**

Model	Description
YA7-FML/HCM	Center-mount 88–98 MHz antenna
YA7-FML/URM	Rear-mount 88–98 MHz antenna
YA7-FMH/HCM	Center-mount 98–108 MHz antenna
YA7-FMH/URM	Rear-mount 98–108 MHz antenna

All specifications are subject to change without notice. The latest specifications are available at [www.kathrein-scala.com](http://www.kathrein-scala.com).

Kathrein Inc., Scala Division Post Office Box 4580 Medford, OR 97501 (USA) Phone: (541) 779-6500 Fax: (541) 779-3991  
Email: [communications@kathrein.com](mailto:communications@kathrein.com) Internet: [www.kathrein-scala.com](http://www.kathrein-scala.com)