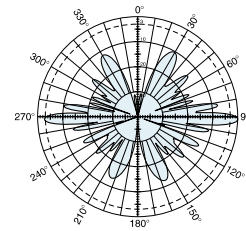


The Kathrein-Scala SL11-915/DT2 Paraslot antenna is specifically designed for spread spectrum systems and other applications in the 902–928 MHz ISM band, featuring high gain and an offset omnidirectional pattern.

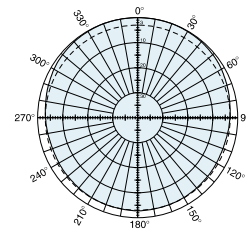
The H-polarized SL11-915/DT2 provides isolation from co-channel and adjacent-channel V-polarized signals. The Kathrein-Scala Paraslot design used in these antennas has earned a reputation for high performance and reliability in thousands of low-power UHF-TV broadcast transmission systems during the past 25 years.

Specifications:

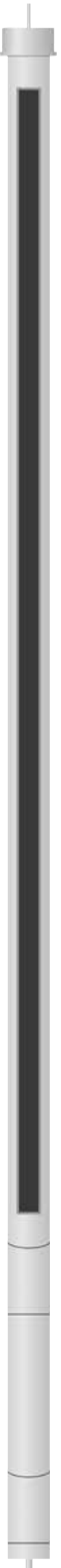
Frequency range	902–928 MHz
Gain	13.4 dBi (maximum)
Impedance	50 ohms
VSWR	< 1.35:1
Polarization	Horizontal
Maximum input power	300 watts (at 50°C)
H-plane beamwidth	5.8 degrees (half-power)
Electrical downtilt	2 degrees (other values optional)
Connector	N female
Weight	26 lb (11.8 kg)
Height	180.25 inches (4578 mm)
Diameter	2.375 inches (60 mm)
Equivalent flat plate area	2.97 ft ² (0.276 m ²)
Wind survival rating	100 mph (161 kph)
Shipping dimensions	190 x 6 x 6 inches (4826 x 152 x 152 mm)
Shipping weight	48 lb (21.8 kg)
Mounting	Mounting kits are available for attachment to a flat vertical surface or to masts with 2.375 to 3.5 inch (60 to 89 mm) OD. <i>Kathrein Scala Division recommends that this antenna be secured from the top in addition to the standard bottom mounting. Contact Kathrein Scala Division Engineering for assistance.</i>



H-plane
Vertical pattern
H-polarization



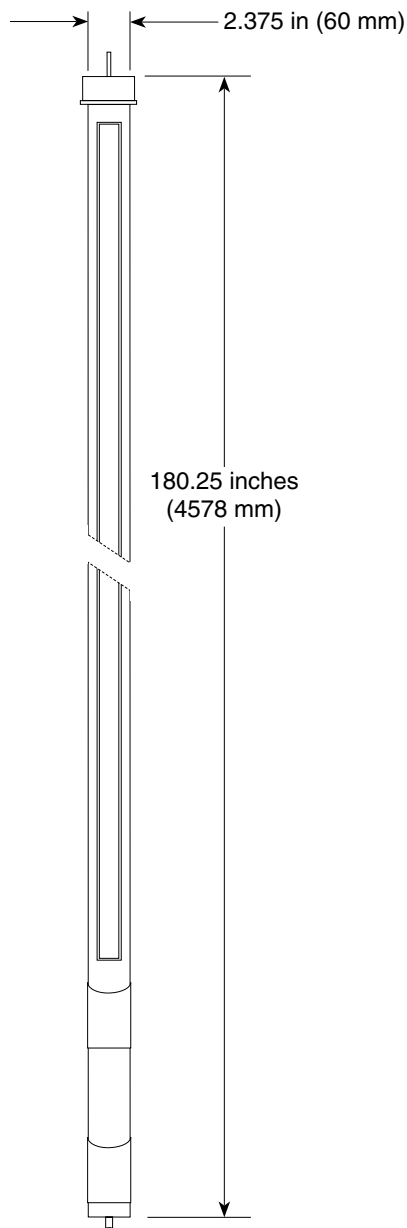
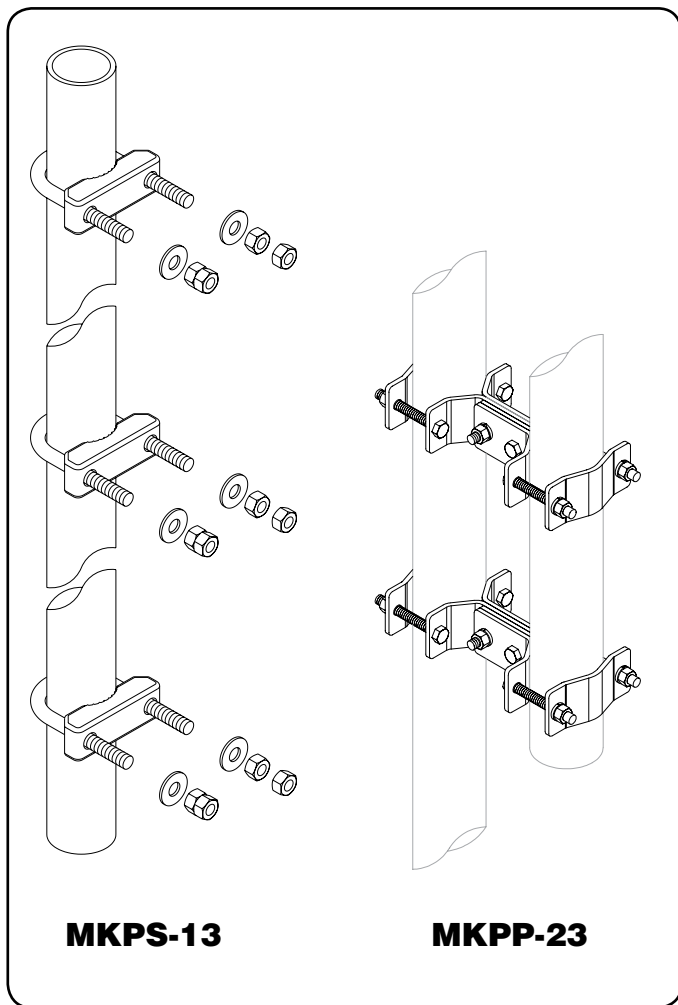
E-plane
Horizontal pattern
H-polarization



PARASLOT is a registered trademark of Kathrein Inc., Scala Division.



10059-I



Mounting Options:

Model	Description
MKPS-13 (shown)	Mounting Kit for mounting to a flat plate
MKPP-23 (shown)	Mounting Kit for 2.375 to 3.5 inch (60 to 89 mm) OD mast.
MKGK-1	Guy Kit
MKSK-1	Spreader Kit

Order Information:

Model	Description
SL11-915N/DT2	Antenna with N connector for spread spectrum systems.

All specifications are subject to change without notice. The latest specifications are available at www.kathrein-scala.com.

Kathrein Inc., Scala Division Post Office Box 4580 Medford, OR 97501 (USA) Phone: (541) 779-6500 Fax: (541) 779-3991
Email: communications@kathrein.com Internet: www.kathrein-scala.com