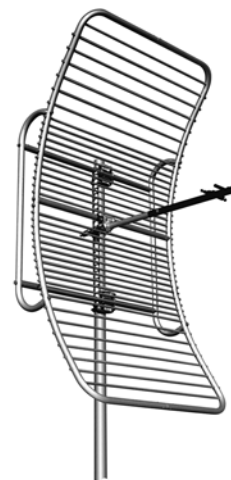


PR-TV series
PARAFLECTOR® ANTENNA
15.5 to 17 dBd gain
470 to 862 MHz

The Kathrein Scala Division PR-TV series Paraflector antennas are designed for professional receive and low-power transmit applications in the 470 to 862 MHz spectrum. These antennas are available for any specified single 6, 7, or 8 MHz UHF-TV channel. Features include:

- High-gain, half-parabolic design.
- Lower weight and surface area than a parabolic dish or grid.
- Very rugged construction using anodized aluminum pipe, tubing, and castings; plus stainless steel hardware and fastenings.
- Compact packaging for economical UPS or Federal Express shipment.
- Can be horizontally or vertically polarized.

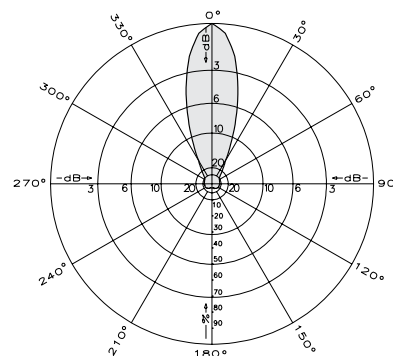


(Shown horizontally polarized)

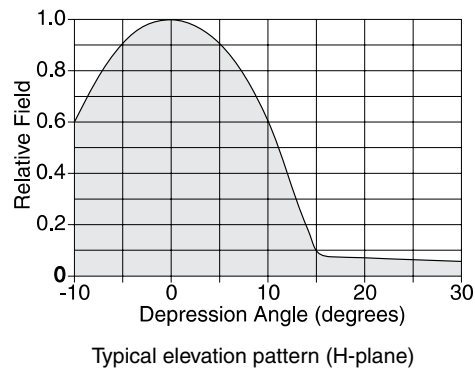
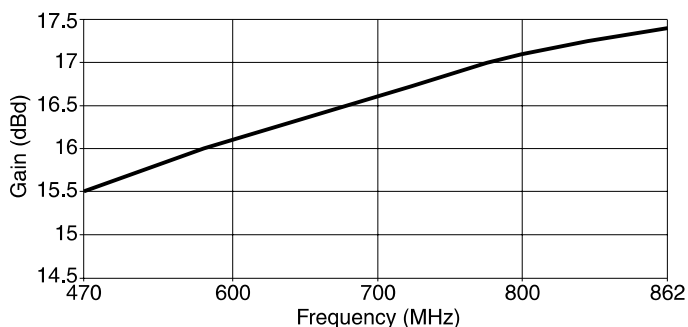
Specifications:

Frequency range	470 to 862 MHz
Bandwidth	Any 6, 7, or 8 MHz UHF-TV channel (Special multichannel models available)
Gain	15.5 to 17 dBd (depending on channel)
Impedance	50 ohms
VSWR	< 1.2:1
Polarization	Horizontal or vertical
Front-to-back ratio	25 dB
Maximum input power	100 watts (at 50°C)
E-plane beamwidth	24 degrees (half-power)
H-plane beamwidth	16 degrees (half-power)
Connector	N female
Weight	38 lb (17.2 kg)
Dimensions	68 x 36 x 18 inches (1727 x 914 x 457 mm)
Equivalent flat plate area	6.35 ft ² (0.595 m ²)
Wind survival rating*	100 mph (161 kph)
Shipping dimensions	40 x 36 x 7 inches (1016 x 914 x 178 mm)
Shipping weight	47 lb (20.4 kg)
Mounting	Mounting kits available for masts of 2.375 to 4.5 inches (60 to 114 mm) OD.

See reverse for order information.



Typical azimuth pattern (E-plane)



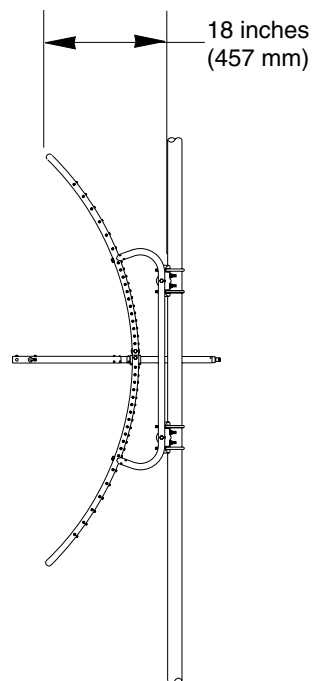
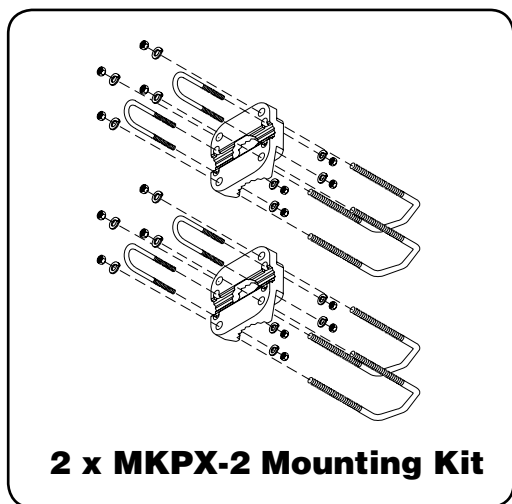
Typical elevation pattern (H-plane)

* Mechanical design is based on environmental conditions as stipulated in EIA-222-F (June 1996) and/or ETS 300 019-1-4 which include the static mechanical load imposed on an antenna by wind at maximum velocity. See the Engineering Section of the catalog for further details.



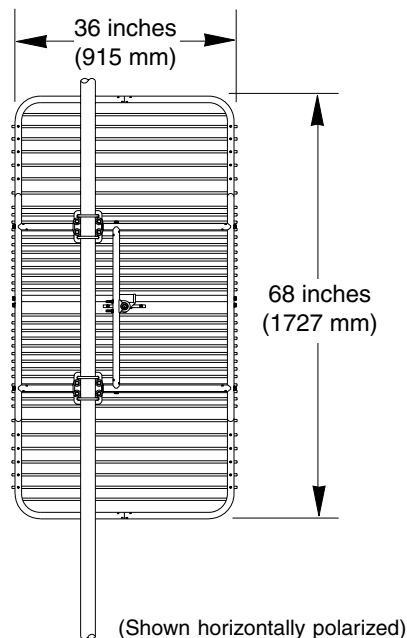
10265-C

PR-TV series
PARAFLECTOR® ANTENNA
15.5 to 17 dBd gain
470 to 862 MHz



Mounting Options:

Model	Description
2 x MKPX-2 (shown)	Mounting Kit for 2.375 inch (60 mm) OD mast.
MKPX-9	Mounting Kit for 2.875 inch (73 mm) OD mast.
MKPX-10	Mounting Kit for 3.5 inch (89 mm) OD mast.
MKPX-11	Mounting Kit for 4 inch (102 mm) OD mast.
MKPX-12	Mounting Kit for 4.5 inch (114 mm) OD mast.
MKTB-1	Tilt Mount Kit, 8-39 degrees tilt angle. Used with any MKPX kit listed above



Order Information:

Contact Kathrein Scala Division Customer Service for detailed order information.

Contact Kathrein Scala Division Sales Engineering regarding special multichannel models.

Note: Requires mounting kit at additional cost (see listing above).

All specifications are subject to change without notice. The latest specifications are available at www.kathrein-scala.com.