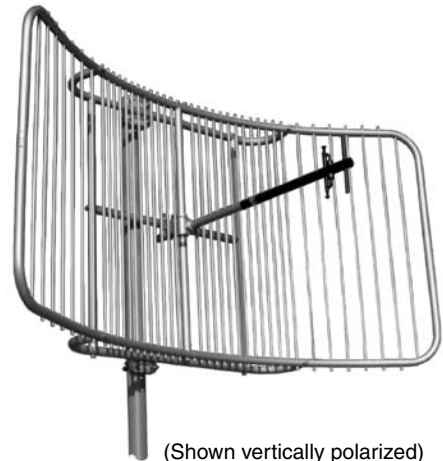


The Kathrein Scala Division PR-series Paraflector antennas are intended for use in professional fixed-station applications in the 406–512 MHz band. They feature:

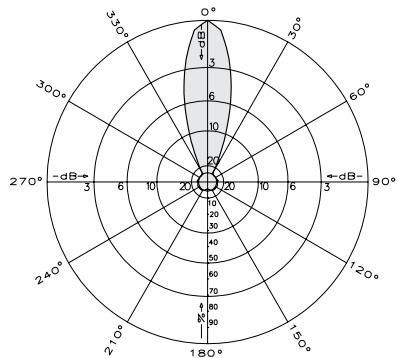
- High gain, half parabolic design.
- Lower weight and surface area than a parabolic dish or grid.
- Anodized seamless drawn aluminum pipe and tubing.
- Stainless steel hardware and fasteners.
- Weather resistant foam-filled broadband feed assembly requires no pressurization. Easily replaced for frequency changes.
- Compact packaging for UPS or Federal Express shipment.



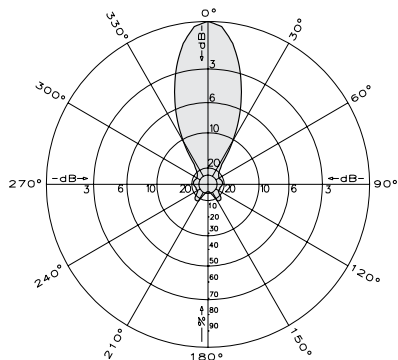
(Shown vertically polarized)

**Specifications:**

	Model	Frequency	Gain
Frequency range	<b>PR-410</b>	406–420 MHz	17 dBi
	<b>PR-460</b>	450–470 MHz	17.5 dBi
	<b>PR-480</b>	470–490 MHz	17.5 dBi
	<b>PR-490</b>	480–500 MHz	17.5 dBi
	<b>PR-500</b>	490–512 MHz	17.5 dBi
Impedance	50 ohms		
VSWR	< 1.5:1		
Polarization	Horizontal or vertical		
Front-to-back ratio	25 dB		
Maximum input power	100 watts (at 50°C)		
H-plane beamwidth	24 degrees (half-power)		
E-plane beamwidth	32 degrees (half-power)		
Connector	N female		
Weight	38 lb (17.2 kg)		
Dimensions	68 x 36 x 18 inches (1727 x 914 x 457 mm)		
Equivalent flat plate area	6.35 ft <sup>2</sup> (0.595 m <sup>2</sup> )		
Wind survival rating*	100 mph (161 kph)		
Shipping dimensions	40 x 36 x 7 inches (1016 x 914 x 178 mm)		
Shipping weight	47 lb (20.4 kg)		
Mounting	Mounting kits available for masts of 2.375 to 4.5 inches (60 to 114 mm) OD.		
<i>See reverse for order information.</i>			



**H-plane**  
Horizontal pattern – V-polarization  
Vertical pattern – H-polarization



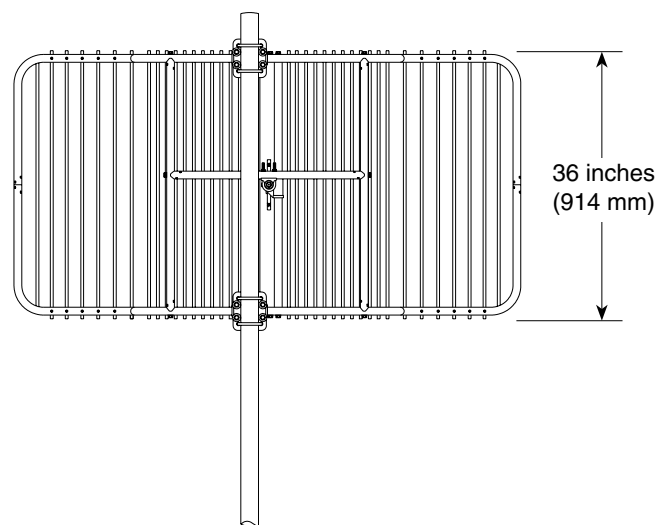
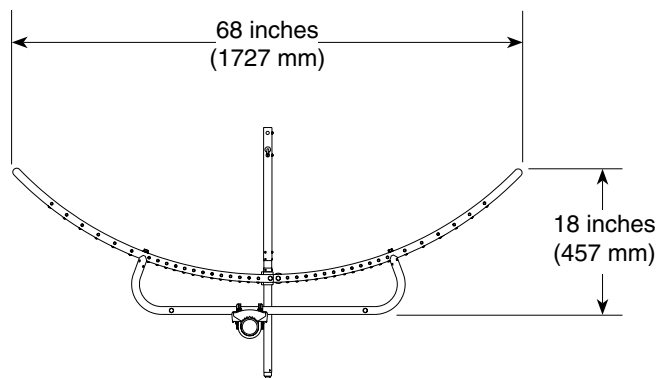
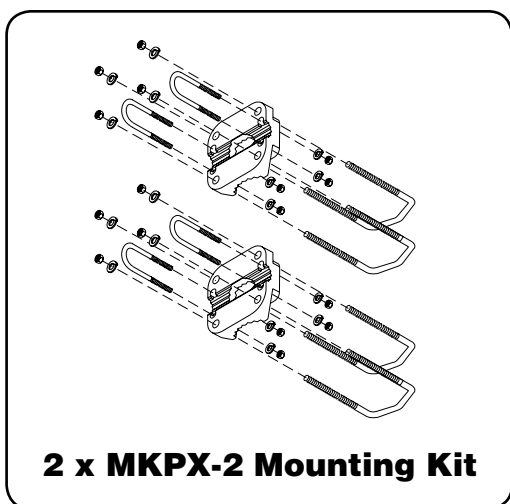
**E-plane**  
Horizontal pattern – H-polarization  
Vertical pattern – V-polarization

\* Mechanical design is based on environmental conditions as stipulated in EIA-222-F (June 1996) and/or ETS 300 019-1-4 which include the static mechanical load imposed on an antenna by wind at maximum velocity. See the Engineering Section of the catalog for further details.

**PARAFLECTOR** is a registered trademark of Kathrein Inc., Scala Division.



10110-B



(Shown vertically polarized)

**Mounting Options:**

Model	Description
2 x MKPX-2 (shown)	Mounting Kit for 2.375 inch (60 mm) OD mast.
MKPX-9	Mounting Kit for 2.875 inch (73 mm) OD mast.
MKPX-10	Mounting Kit for 3.5 inch (89 mm) OD mast.
MKPX-11	Mounting Kit for 4 inch (102 mm) OD mast.
MKPX-12	Mounting Kit for 4.5 inch (114 mm) OD mast.
MKTB-1	Tilt Mounting Kit, 8–39 degrees tilt angle. Used with any MKPX kit listed above

**Order Information:**

Model	Description
PR-410	406–420 MHz Antenna (mounting kit not included)
PRF-410	Replacement feed assembly (406–420 MHz)
PR-460	450–470 MHz Antenna (mounting kit not included)
PRF-460	Replacement feed assembly (450–470 MHz)
PR-480	470–490 MHz Antenna (mounting kit not included)
PRF-480	Replacement feed assembly (470–490 MHz)
PR-490	480–500 MHz Antenna (mounting kit not included)
PRF-490	Replacement feed assembly (480–500 MHz)
PR-500	490–512 MHz Antenna (mounting kit not included)
PRF-500	Replacement feed assembly (490–512 MHz)

*Note: Requires mounting kit at additional cost (see listing above). Contact Kathrein Scala Division sales engineering for special models for frequencies in the 350 to 406 MHz band.*