

## PDL(x) series

### RF LOW POWER DIVIDERS

FM, VHF-TV, and UHF-TV

Kathrein-Scala RF power dividers are designed for use in a number of professional applications including multi-element antenna arrays and radiating cable systems and other cases where efficient broadband power splitting is required. These dividers feature low insertion loss and excellent impedance match. Careful and conservative mechanical designs assure a long service life with high reliability and stability in even the most difficult environmental conditions.

Kathrein-Scala has provided thousands of these rugged and reliable RF power dividers for communications and broadcasting systems over the past 40 years and we welcome the opportunity to help you find the best and most cost-effective solutions for your system requirements.

#### Specifications:

Impedance	50 ohms
Insertion loss	<0.5 dB
VSWR	<1.2:1
Maximum input power	100 watts
Connector	N female
Weight	2 lb (0.9 kg)
Dimensions	5.9 x 5.3 x 3.25 inches (150 x 135 x 83 mm)
Shipping dimensions	12 x 9 x 4 inches (305 x 229 x 102 mm)
Shipping weight	3 lb (1.36 kg)
Mounting	For masts of 1.25 to 2.375 inch (32 to 60 mm) OD.

#### PDL2-55/50

Frequency range	
VHF-TV channels 2–6	54–88 MHz (broadband)
FM	88–108 MHz (broadband)
VHF-TV channels 7–13	174–230 MHz (broadband)
UHF-TV channels 14–37	470–614 MHz (broadband)
channels 38–54	614–716 MHz (broadband)
channels 55–69	716–806 MHz (broadband)
Split	50%/50%

#### PDL3-333/50

Frequency range	
VHF-TV channels 2 to 6	54 to 88 MHz (any single channel)
FM	88–108 MHz (broadband)
VHF-TV channels 7–13	174–216 MHz (broadband)
UHF-TV channels 14 to 69	470 to 806 MHz (any single channel)
Split	33.3%/33.3%/33.3%

#### PDL4-2222/50

Frequency range	
VHF-TV channels 2 to 6	54 to 88 MHz (any single channel)
FM	88–108 MHz (broadband)
VHF-TV channels 7–13	174–216 MHz (broadband)
UHF-TV channels 14 to 69	470 to 806 MHz (any single channel)
Split	25%/25%/25%/25%



**PDL3-333/50**

In addition to the standard models listed, Kathrein-Scala offers a number of special types with optional features designed to facilitate system design and operation. These include:

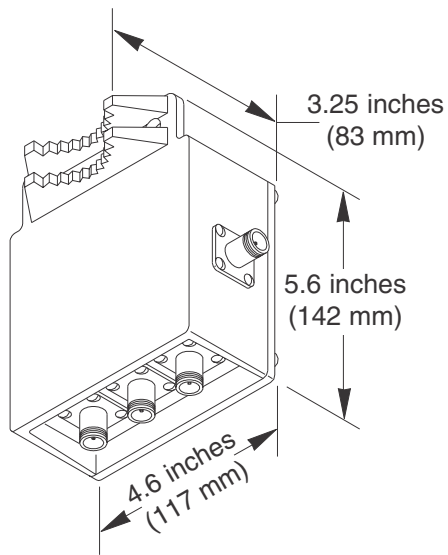
- **Unequal power splits.** Common examples include 75%/25%, 90%/10%, 50%/25%/25%, and 50%/25%/12.5%/12.5%, etc. Other split ratios are available on special order for custom antenna arrays and radiating cable systems.
- **1KW-rated power dividers.** Two to eight-way equal splits, 7/8" EIA or 7/16 DIN input.
- **Built-in impedance transformations** for 50W input and 75W outputs, or for 75W input and 50W outputs are available where 50W and 75W dividers must be used in the same system. Kathrein-Scala's CX-series in-line coax transformers are also available for interfacing 50W and 75W RF system components.

Please contact Kathrein-Scala sales engineering for information and pricing on RF power dividers designed for your specific requirements.



10750-A

**PDL(x) series**  
RF LOW POWER DIVIDERS  
FM, VHF-TV, and UHF-TV



Note: Dimensions shown above  
do not include connectors.

**Order Information:**

Contact Kathrein-Scala Customer Service for detailed order information.

All specifications are subject to change without notice