

Kathrein's omnidirectional antennas for wireless, paging, SMR and mobile applications are extremely robust, using the finest fiberglass, brass, and aluminum. Applicable mounting hardware is fabricated from stainless steel. Many models may be mounted inverted.

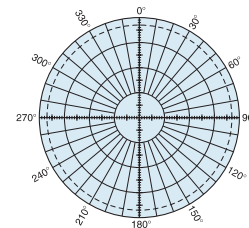
- Wireless
- Paging
- SMR
- Land Mobile
- ISM

Specifications:

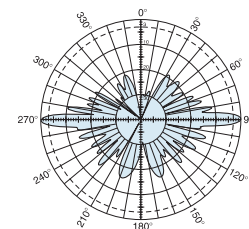
Frequency range	870–960 MHz
Gain	11 dBi
Impedance	50 ohms
VSWR	< 1.5:1
Intermodulation (2x20w)	IM3: -150dBc
Polarization	Vertical
Maximum input power	500 watts (at 50°C)
H-plane beamwidth	Omni
E-plane beamwidth	7 degrees (half-power)
Connector	N female
Weight	17.6 lb (8 kg)
Height	119.4 inches (3033 mm)
Radome diameter	2 inches (51 mm)
Wind survival rating	120 mph (200 kph)
Equivalent flat plate area	1.96 ft ² (0.182 m ²)
Shipping dimensions	130.6 x 5.8 x 4.4 inches (3316 x 148 x 112 mm)
Shipping weight	35 lb (15.9 kg)
Mounting	For masts of 2 to 3.75 inch (50 to 94 mm) OD.

See reverse for order information.

*Mechanical design is based on environmental conditions as stipulated in EIA-222-F (June 1996) and/or ETS 300 019-1-4 which include the static mechanical load imposed on an antenna by wind at maximum velocity. See the Engineering Section of the catalog for further details.

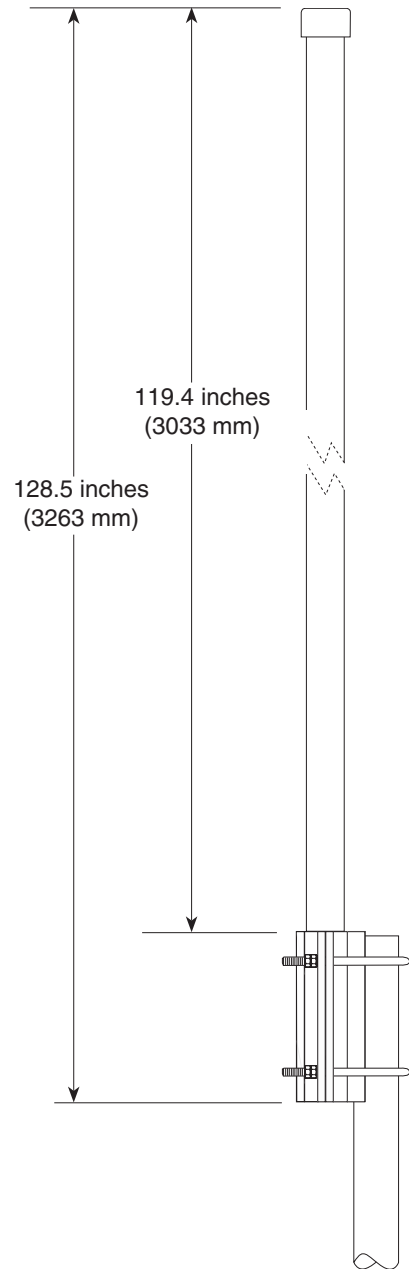
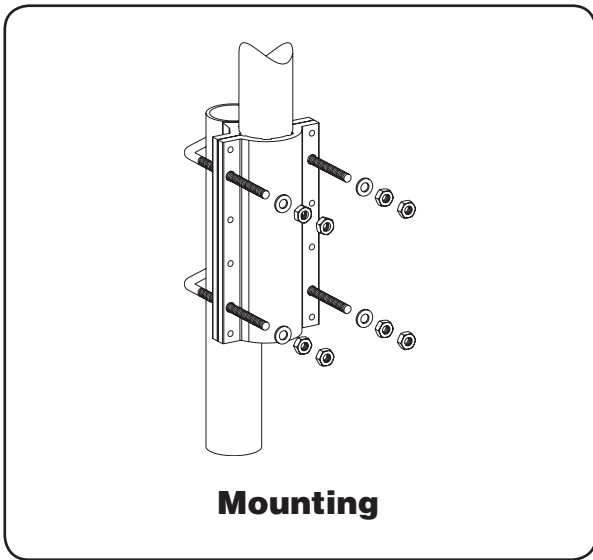


H-plane
Horizontal pattern
V-polarization



E-plane
Vertical pattern
V-polarization





Order Information:

Model	Description
OGB9-915N	Antenna with N connector

All specifications are subject to change without notice. The latest specifications are available at www.kathrein-scala.com.

Kathrein Inc., Scala Division Post Office Box 4580 Medford, OR 97501 (USA) Phone: (541) 779-6500 Fax: (541) 779-3991
Email: communications@kathrein.com Internet: www.kathrein-scala.com