

Kathrein Scala's omnidirectional antennas for wireless, paging, SMR and mobile applications are extremely robust, using the finest fiberglass, brass, and aluminum. Applicable mounting hardware is fabricated from stainless steel. Many models may be mounted inverted. Higher gain antennas can be provided with downtilt, as well.

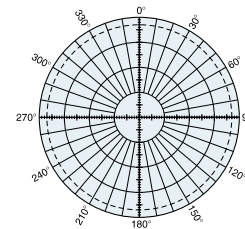
- Wireless
- Paging
- SMR
- Land Mobile
- ISM

Specifications:

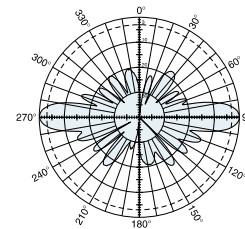
Frequency range	870–960 MHz
Gain	8 dBi
Impedance	50 ohms
VSWR	< 1.5:1
Intermodulation (2x20w)	IM3: -150dBc
Polarization	Vertical
Maximum input power	500 watts (at 50°C)
H-plane beamwidth	Omni
E-plane beamwidth	13 degrees (half-power)
Connector	N female
Weight	12.1 lb (5.5 kg)
Height	60.7 inches (1543 mm)
Radome diameter	2 inches (51 mm)
Wind survival rating	120 mph (200 kph)
Equivalent flat plate area	0.81 ft ² (0.076 m ²)
Shipping dimensions	70 x 6 x 5 inches (1848 x 148 x 112 mm)
Shipping weight	14 lb (6.4 kg)
Mounting	For masts of 2 to 3.75 inch (50 to 94 mm) OD.

See reverse for order information.

* Mechanical design is based on environmental conditions as stipulated in EIA-222-F (June 1996) and/or ETS 300 019-1-4 which include the static mechanical load imposed on an antenna by wind at maximum velocity. See the Engineering Section of the catalog for further details.

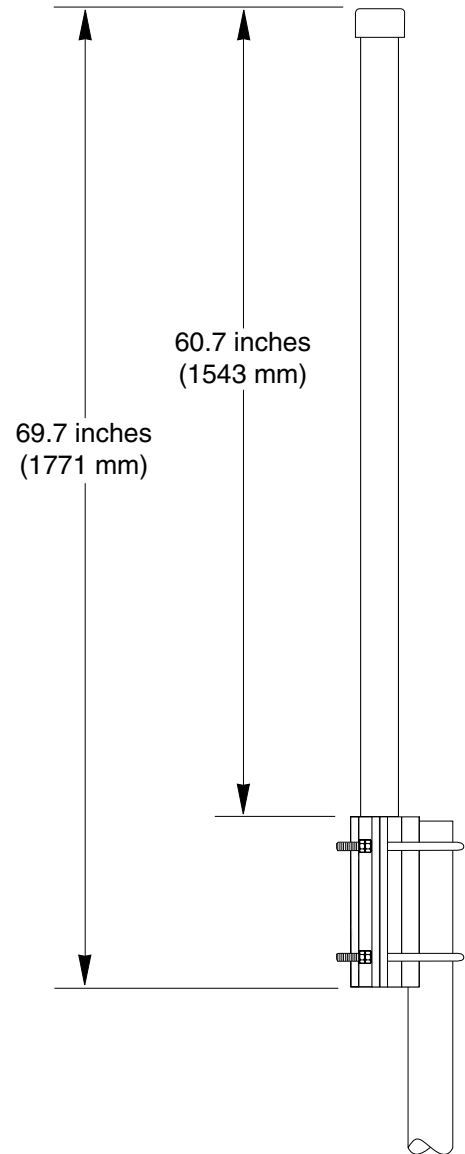
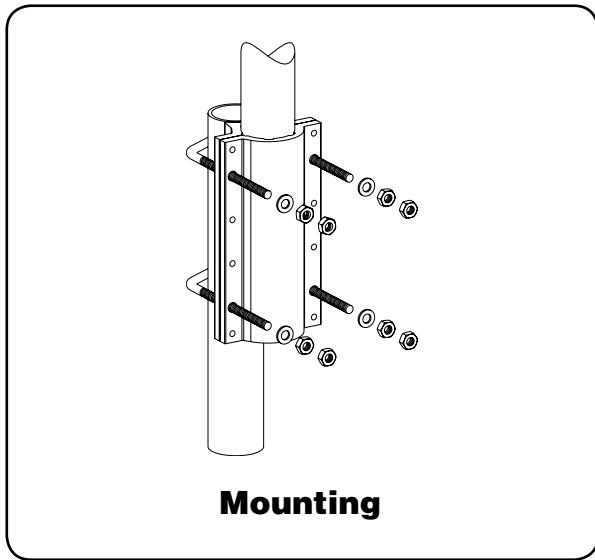


H-plane
Horizontal pattern
V-polarization



E-plane
Vertical pattern
V-polarization





Order Information:

Model	Description
OGB915N	Antenna with N connector 0° electrical downtilt

All specifications are subject to change without notice. The latest specifications are available at www.kathrein-scala.com.

Kathrein Inc., Scala Division Post Office Box 4580 Medford, OR 97501 (USA) Phone: (541) 779-6500 Fax: (541) 779-3991
 Email: communications@kathrein.com Internet: www.kathrein-scala.com