

The Kathrein-Scala Miniflector® is a medium-gain half-parabolic antenna designed for fixed-station radio systems.

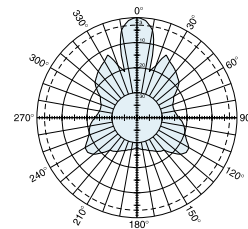
- Heavy-duty construction of anodized aluminum pipe, tubing and castings plus stainless steel hardware and fastenings for corrosion resistance.
- The feed assembly is foam-potted and sealed for maximum reliability in severe environments.



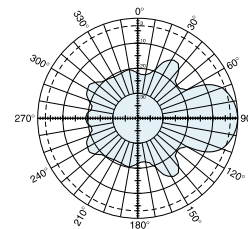
Specifications:

Frequency range	928–953 MHz
Gain	16 dBi
Impedance	50 ohms
VSWR	< 1.4:1
Polarization	Vertical
Front-to-back ratio	>23 dB
Maximum input power	100 watts (at 50°C)
H-plane beamwidth	16 degrees (half-power)
E-plane beamwidth	34 degrees (half-power)
Connector	N female
Weight	13 lb (5.9 kg)
Dimensions	46.5 x 18 x 16 inches (1181 x 457 x 406 mm)
Wind load at 93 mph (150kph) Front/Side	50 lbf / 28 lbf (222 N) / (121 N)
Wind survival rating*	120 mph (200 kph)
Shipping dimensions	47 x 18.5 x 16.5 inches (1194 x 470 x 419 mm)
Shipping weight	20 lb (9.1 kg)
Mounting	Mounting kits available for masts of 2.375 to 4.5 nch (60 to 114 mm) OD.

See reverse for order information.



H-plane
Horizontal pattern – V-polarization



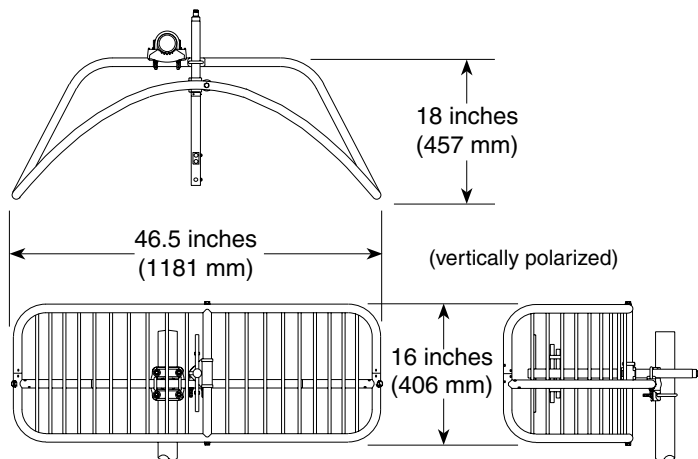
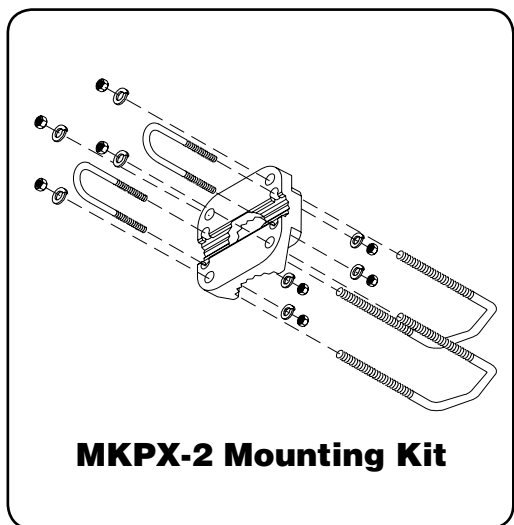
E-plane
Vertical pattern – V-polarization

* Mechanical design is based on environmental conditions as stipulated in TIA-222-G-2 (December 2009) and/or ETS 300 019-1-4 which include the static mechanical load imposed on an antenna by wind at maximum velocity. See the Engineering Section of the catalog for further details.



10044-H

MINIFLECTOR is a registered trademark of Kathrein Inc., Scala Division.



Mounting Options:

Model	Description
MKPX-2	Mounting Kit for 2.375 inch (60 mm) OD mast.
MKPX-3	Mounting Kit for 2.875 inch (73 mm) OD mast.
MKPX-4	Mounting Kit for 3.5 inch (89 mm) OD mast.
MKPX-5	Mounting Kit for 4 inch (102 mm) OD mast.
MKPX-6	Mounting Kit for 4.5 inch (114 mm) OD mast.

Order Information:

Model	Description
MF-940B	Half-parabolic antenna with N connector

All specifications are subject to change without notice. The latest specifications are available at www.kathrein-scala.com.