

The Kathrein K752921 broadband dipole antenna is intended for use in professional fixed-station applications in the 380–470 MHz band. It features:

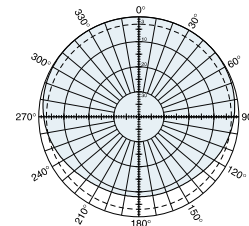
- Special mount and standoff to provide a variety of radiation patterns.
- Very strong and weather resistant design.
- Feedpoint protected by fiberglass radome.
- Elements can be stacked for additional gain.
- Stainless steel hardware throughout.
- Entire antenna at DC ground potential.



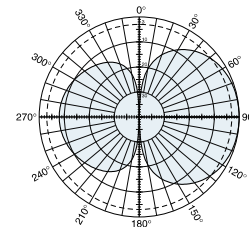
Specifications:

Frequency range	380–470 MHz	
Gain	4 dBi	
Impedance	50 ohms	
VSWR	400–470 MHz	<1.5:1
	380–470 MHz	<1.5:1 A= $\frac{1}{4} \lambda$
	380–470 MHz	<2.0:1 A>> $\frac{1}{4} \lambda$
Polarization	Vertical	
Front-to-back ratio	7.7 dB	$\frac{1}{4} \lambda$ spacing on 2.375 inch (60 mm) OD mast
Maximum input power	450 watts (at 50°C)	
H-plane beamwidth	202 degrees (half-power, $\frac{1}{4} \lambda$ spacing)	
E-plane beamwidth	80 degrees (half-power, $\frac{1}{4} \lambda$ spacing)	
Connector	N female	
Weight	3.5 lb (1.6 kg)	
Dimensions	23.9 x 12.4 x 3.4 inches (607 x 315 x 86 mm)	
Equivalent flat plate area	0.39 ft ² (0.036 m ²)	
Wind survival rating*	120 mph (200 kph)	
Shipping dimensions	34.6 x 13 x 3.9 inches (880 x 330 x 100 mm)	
Shipping weight	7 lb (3.2 kg)	
Mounting	For masts of 2.375 to 12.625 inches (60 to 320 mm) OD.	

See reverse for order information.



H-plane
Horizontal pattern – V-polarization
 $\frac{1}{4} \lambda$ spacing
2.375 inch (60 mm) OD mast



E-plane
Vertical pattern – V-polarization
 $\frac{1}{4} \lambda$ spacing
2.375 inch (60 mm) OD mast

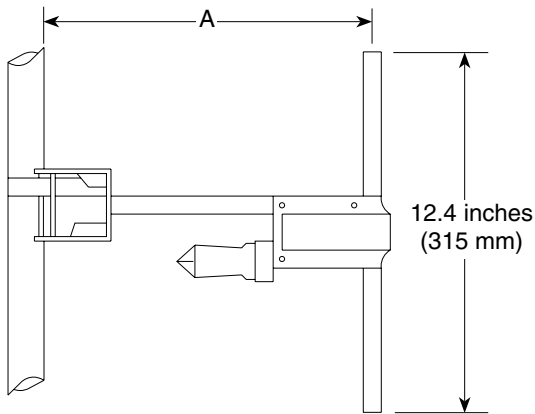
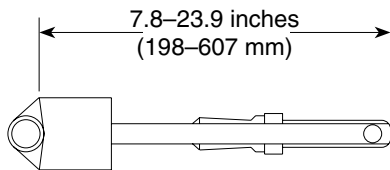
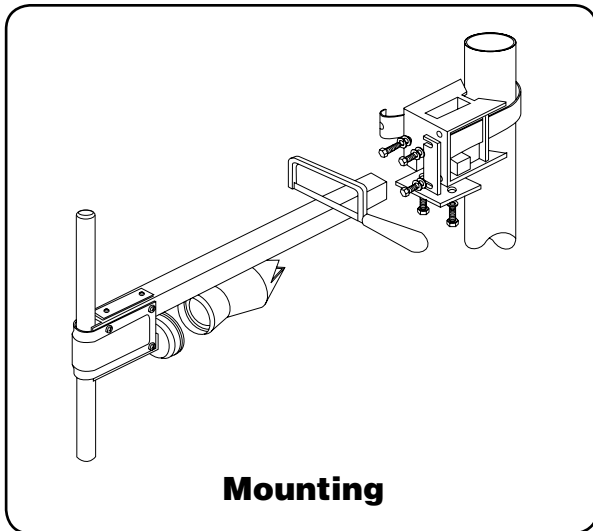
* Mechanical design is based on environmental conditions as stipulated in EIA-222-F (June 1996) and/or ETS 300 019-1-4 which include the static mechanical load imposed on an antenna by wind at maximum velocity. See the Engineering Section of the catalog for further details.



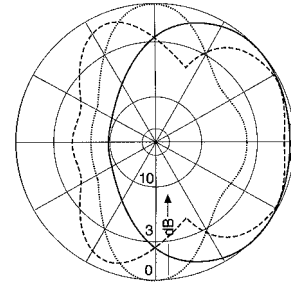
10241-C
936.072/d



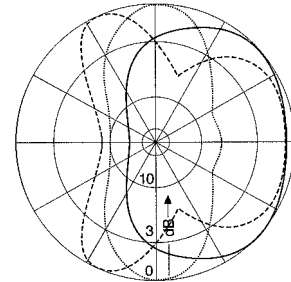
Horizontal radiation pattern



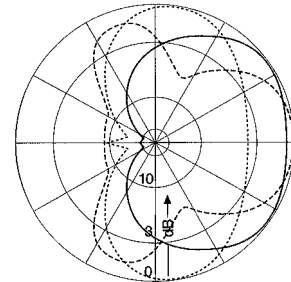
2.375 inch
(60 mm)
OD mast



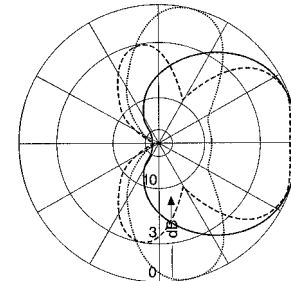
6.3 inch
(160 mm)
OD mast



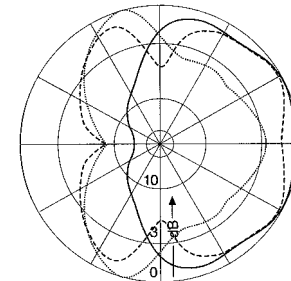
9.9 inch
(250 mm)
OD mast



23.7 inch
(600 mm)
OD mast



Triangular lattice
mast with a side
length of 20 inch
(500 mm)



Order Information:

Model	Description
K752921	380–470 MHz Dipole antenna

A=0.25 λ

A=0.5 λ

A=0.75 λ

All specifications are subject to change without notice. The latest specifications are available at www.kathrein-scala.com.

Kathrein Inc., Scala Division Post Office Box 4580 Medford, OR 97501 (USA) Phone: (541) 779-6500 Fax: (541) 779-3991
Email: communications@kathrein.com Internet: www.kathrein-scala.com