

**Omnidirectional Antenna**  
**380–400 MHz**

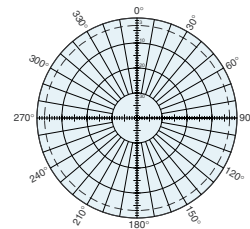
Kathrein's omnidirectional antennas incorporate the quality design and attention to detail that have established our entire line of professional base station antennas as industry leaders. These antennas feature:

- Proven, solid construction, with special attention directed towards the custom fiberglass radome which provides superior stiffness and low tip deflection at wind velocities of up to 120 mph.
- Superior electrical performance, with low VSWR, wide bandwidth, flat frequency response, and extremely low intermodulation products.
- Excellent DC grounding from the solid metal tip to the base.
- Simple, integrated mast attachment system, consists of only two V-bolts, which connect directly to the base.

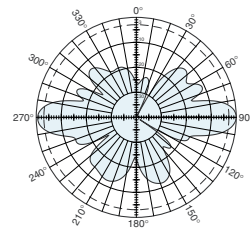
**Specifications:**

Frequency range	380–400 MHz
Gain	7.5 dBi
Impedance	50 ohms
VSWR	< 1.5:1
Intermodulation (2x20w)	IM3: < -150 dBc
Polarization	Vertical
Maximum input power	500 watts (at 50°C)
H-plane beamwidth	Omni
E-plane beamwidth	17 degrees (half power)
Connector	7-16 DIN female
Weight	17.6 lb (8 kg)
Height	111.8 inches (2840 mm)
Radome diameter	2 inches (51 mm)
Wind load	at 93 mph (150kph) 45 lbf / 200 N
Wind survival rating*	120 mph (200 kph)
Shipping dimensions	130.6 x 5.8 x 4.4 inches (3316 x 148 x 112 mm)
Shipping weight	22 lb (10 kg)
Mounting	For masts of 2 to 3.7 inch (50 to 94 mm) OD.

\* Mechanical design is based on environmental conditions as stipulated in TIA-222-G-2 (December 2009) and/or ETS 300 019-1-4 which include the static mechanical load imposed on an antenna by wind at maximum velocity. See the Engineering Section of the catalog for further details.



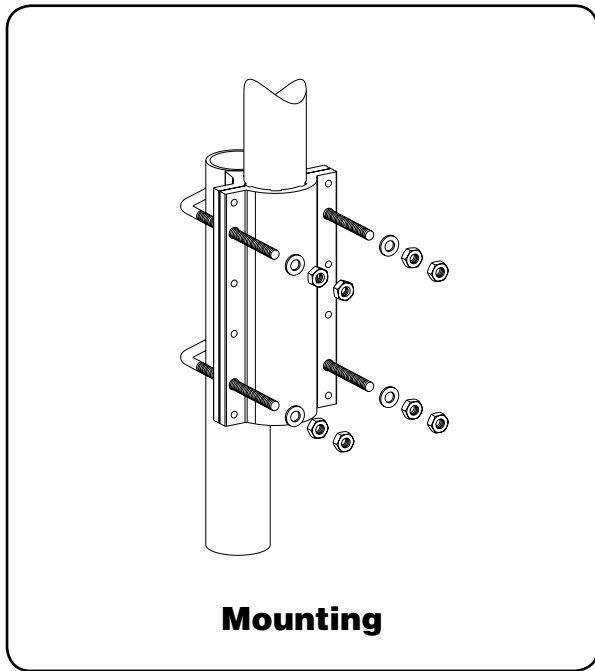
H-plane  
Horizontal pattern – V-polarization



E-plane  
Vertical pattern – V-polarization



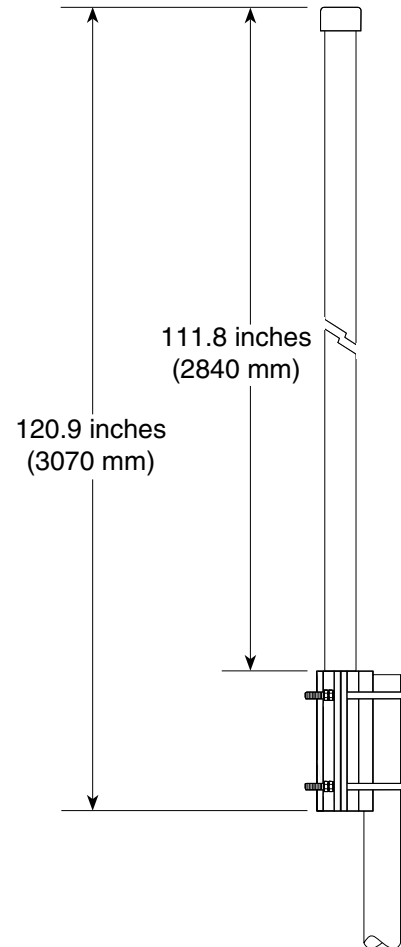
10570-G  
936.1347/h



**Mounting**

Description

Mounting for 2 to 3.7 inch (50 to 94 mm) OD mast



**Order Information:**

Model	Description
K751637	Antenna with 7-16 DIN female connector