

**Omnidirectional Antenna**  
**380–400 MHz**

Kathrein's omnidirectional antennas incorporate the quality design and attention to detail that have established our entire line of professional base station antennas as industry leaders. These antennas feature:

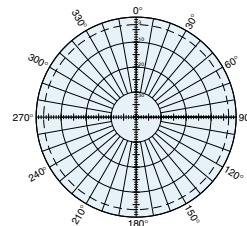
- Proven, solid construction, with special attention directed towards the custom fiberglass radome which provides superior stiffness and low tip deflection at wind velocities of up to 120 mph.
- Superior electrical performance, with low VSWR, wide bandwidth, flat frequency response, and extremely low intermodulation products.
- Excellent DC grounding from the solid metal tip to the base.
- Simple, integrated mast attachment system, consists of only two V-bolts, which connect directly to the base.

**Specifications:**

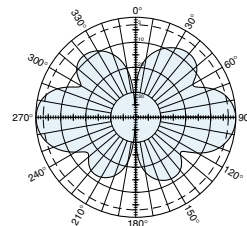
Frequency range	380–400 MHz
Gain	5 dBi
Impedance	50 ohms
VSWR	< 1.5:1
Intermodulation (2x20w)	IM3: <-150 dBc
Polarization	Vertical
Maximum input power	500 watts (at 50° C)
H-plane beamwidth	Omni
E-plane beamwidth	30 degrees (half power)
Connector	7-16 DIN female
Weight	12.1 lb (5.5 kg)
Height	63.5 inches (1612 mm)
Radome diameter	2 inches (51 mm)
Wind load	at 93 mph (150kph) 32 lbf / 140 N
Wind survival rating*	120 mph (200 kph)
Shipping dimensions	73.9 x 8.1 x 6 inches (1878 x 206 x 152 mm)
Shipping weight	15 lb (6.8 kg)
Mounting	For masts of 2 to 3.7 inch (50 to 94 mm) OD.

*See reverse for order information.*

\* Mechanical design is based on environmental conditions as stipulated in TIA-222-G-2 (December 2009) and/or ETS 300 019-1-4 which include the static mechanical load imposed on an antenna by wind at maximum velocity. See the Engineering Section of the catalog for further details.



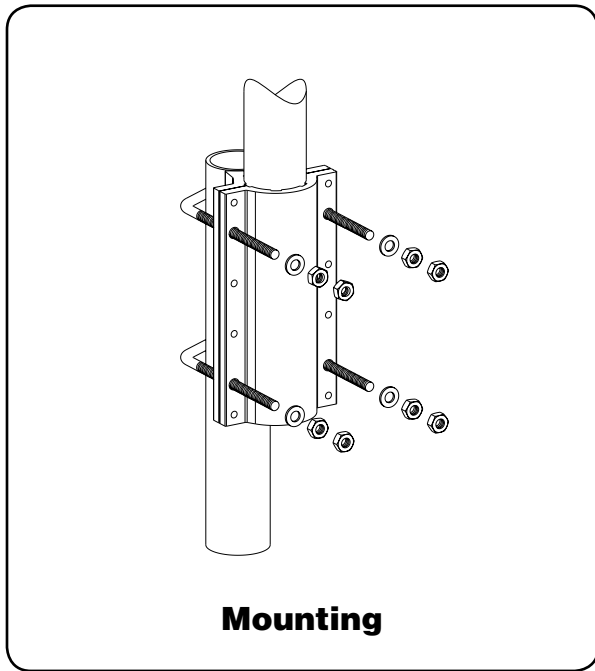
**H-plane**  
Horizontal pattern – V-polarization



**E-plane**  
Vertical pattern – V-polarization



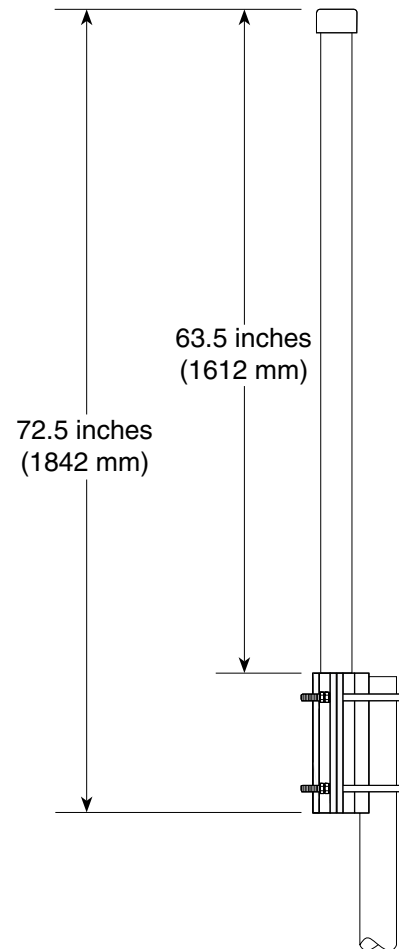
10571-D  
936.1485/e



**Mounting**

Description

Mounting for 2 to 3.7 inch (50 to 94 mm) OD mast



**Order Information:**

Model	Description
K751537	Antenna with 7-16 DIN female connector

All specifications are subject to change without notice. The latest specifications are available at [www.kathrein-scala.com](http://www.kathrein-scala.com).

Kathrein Inc., Scala Division Post Office Box 4580 Medford, OR 97501 (USA) Phone: (541) 779-6500 Fax: (541) 779-3991  
Email: [communications@kathrein.com](mailto:communications@kathrein.com) Internet: [www.kathrein-scala.com](http://www.kathrein-scala.com)