

Kathrein's omnidirectional antennas for wireless, paging, SMR and mobile applications are extremely robust, using the finest fiberglass, brass, and aluminum. Applicable mounting hardware is fabricated from stainless steel. Many models may be mounted inverted. Higher gain antennas can be provided with downtilt, as well.

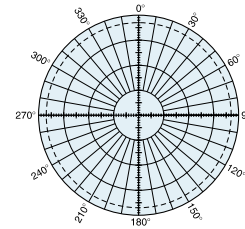
- Wireless
- Paging
- SMR
- Land Mobile
- ISM

**Specifications:**

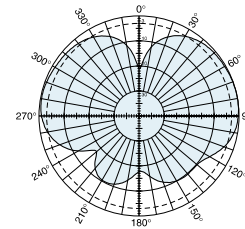
Frequency range	806–960 MHz (broadband)
Gain	2 dBi
Impedance	50 ohms
VSWR	< 1.5:1
Intermodulation (2x5w)	IM3: <-150 dBc
Polarization	Vertical
Maximum input power	100 watts (at 50°C)
H-plane beamwidth	Omni
E-plane beamwidth	78 degrees (half-power)
Connector	N female
Weight	1.6 lb (.74 kg)
Height	13.7 inches (348 mm)
Radome diameter	0.83 inches (21 mm)
Equivalent flat plate area	0.161 ft <sup>2</sup> (0.015 m <sup>2</sup> )
Wind survival rating*	120 mph (200 kph)
Shipping dimensions	17.9 x 4.4 x 3.8 inches (455 x 112 x 97 mm)
Shipping weight	3 lb (1.4 kg)
Mounting	For masts of 0.8 to 2.1 inch (20 to 54 mm) OD.

*See reverse for order information.*

\* Mechanical design is based on environmental conditions as stipulated in EIA-222-F (June 1996) and/or ETS 300 019-1-4 which include the static mechanical load imposed on an antenna by wind at maximum velocity. See the Engineering Section of the catalog for further details.



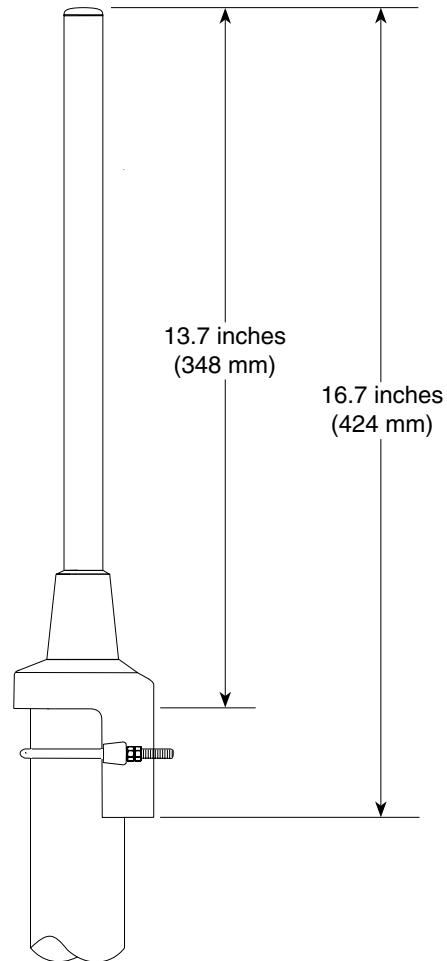
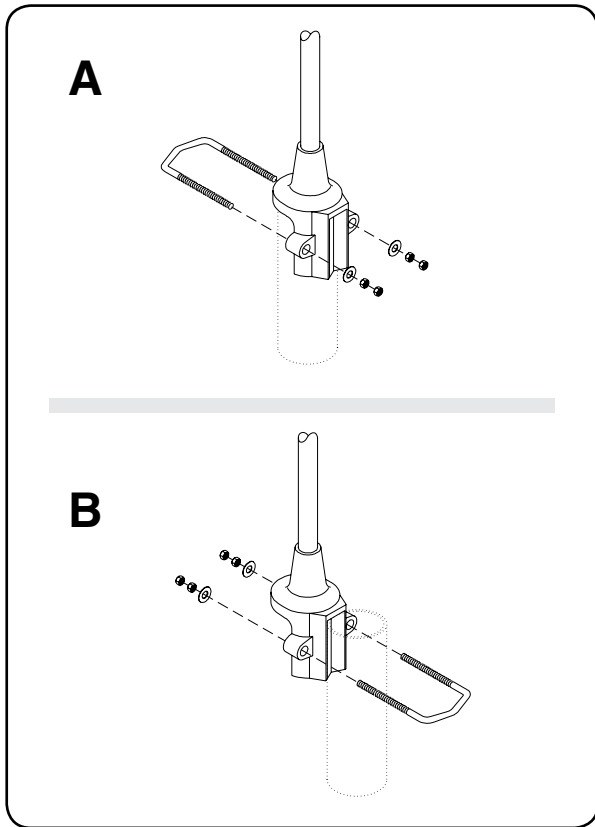
H-plane  
Horizontal pattern  
V-polarization



E-plane  
Vertical pattern  
V-polarization



10062-I  
936.450/j



**Mounting Options:**

	Description
A	Mounting for 1.6 to 2.1 inch (40 to 54 mm) OD mast
B	Mounting for 0.8 to 2.1 inch (20 to 54 mm) OD mast

**Order Information:**

Model	Description
K751161	Antenna with N connector 0° electrical downtilt

All specifications are subject to change without notice. The latest specifications are available at [www.kathrein-scala.com](http://www.kathrein-scala.com).

Kathrein Inc., Scala Division Post Office Box 4580 Medford, OR 97501 (USA) Phone: (541) 779-6500 Fax: (541) 779-3991  
Email: [communications@kathrein.com](mailto:communications@kathrein.com) Internet: [www.kathrein-scala.com](http://www.kathrein-scala.com)