

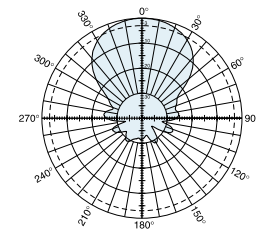
Kathrein's broadband log-periodic antennas are designed for fixed-station applications. The radiating system is protected by a rugged fiberglass radome to assure reliable and stable operation in heavy icing conditions.

- High front-to-back ratio and absence of sidelobes can help to minimize co-channel and adjacent channel interference problems at sites with congested spectrum.
- Superior electrical specifications including low VSWR, wide bandwidth, flat frequency response and superb intermodulation performance.

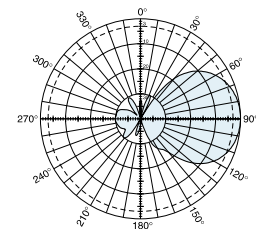


Specifications:

Frequency range	790–960 MHz
Gain	12 dBi
Impedance	50 ohms
VSWR	< 1.4:1
Polarization	Vertical
Front-to-back ratio	> 30 dB
Maximum input power	500 watts (at 50°C)
H-plane beamwidth	51 degrees (half-power)
E-plane beamwidth	45 degrees (half-power)
Connector	7-16 DIN female
Weight	13.9 lb (6.3 kg)
Dimensions	31 x12 x 6.5 inches (785 x 300 x 155 mm)
Wind load at 93 mph (150kph)	
Front/Side/Rear	5 lbf / 59 lbf / 7 lbf (20 N) / (260 N) / (30 N)
Wind survival rating*	120 mph (200 kph)
Shipping dimensions	38.2 x13 x 6.5 inches (970 x 330 x 165 mm)
Shipping weight	15.5 lb (7 kg)
Mounting	Hardware included for masts of 1.25 to 2.75 inch (30 to 70 mm) OD.
<i>See reverse for order information.</i>	



H-plane
Horizontal pattern – V-polarization

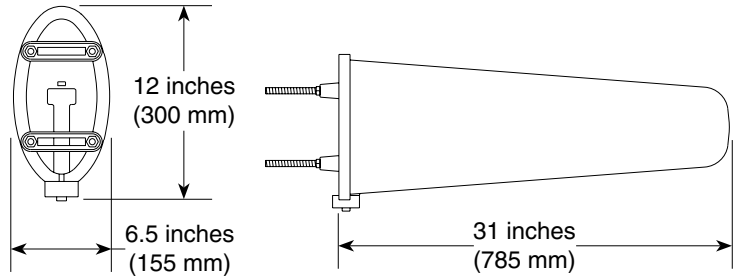
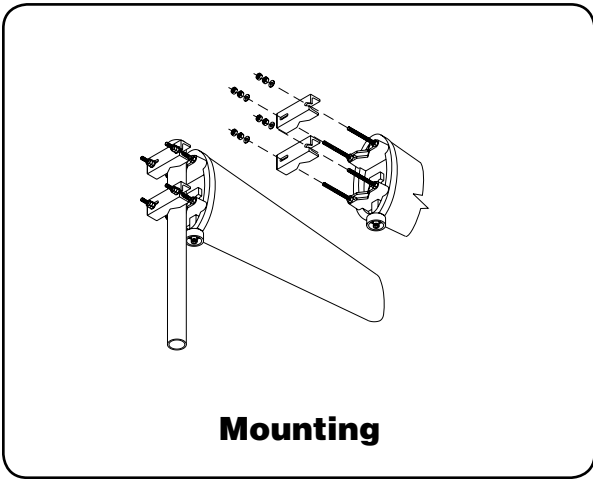


E-plane
Vertical pattern – V-polarization

* Mechanical design is based on environmental conditions as stipulated in TIA-222-G-2 (December 2009) and/or ETS 300 019-1-4 which include the static mechanical load imposed on an antenna by wind at maximum velocity. See the Engineering Section of the catalog for further details.



10077-G
936.377/d



Order Information:

Model	Description
K732267	Log-Periodic antenna with 7-16 DIN connector

All specifications are subject to change without notice. The latest specifications are available at www.kathrein-scala.com.

Kathrein Inc., Scala Division Post Office Box 4580 Medford, OR 97501 (USA) Phone: (541) 779-6500 Fax: (541) 779-3991
 Email: communications@kathrein.com Internet: www.kathrein-scala.com