

Kathrein RF power taps are designed for use in a number of professional applications. These broadband power taps feature low insertion loss and excellent impedance match. Careful and conservative mechanical designs assure a long service life with high reliability and stability.

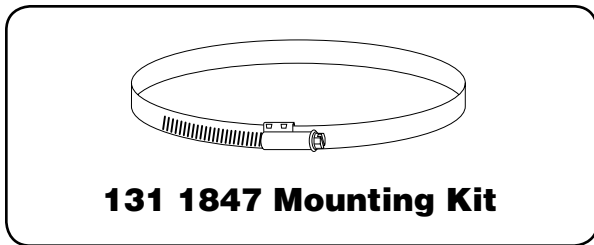
- DC transmission only between input and port P₁. P₂ is coupled capacitively.

General specifications:

Frequency range	800–2200 MHz
Impedance	50 ohms
Intermodulation (2x20w)	IM3: <-150 dBc
Insertion loss	<0.05 dB
VSWR	<1.5:1
Maximum input power	500 watts (at 50°C)
Connector	7-16 DIN female
Weight	2.9 lb (1.3 kg)
Dimensions	9.6 x 3.5 x 2.2 inches (244 x 90 x 55 mm)
Shipping dimensions	12.2 x 4.4 x 3.7 inches (310 x 112 x 93 mm)
Shipping weight	3.5 lb (1.6 kg)
Mounting	Mountng kit available



Specifications:	K63236067	K63236107	K63236157
Tap loss			
Input ↔ P ₁	-1.0 dB	-0.4 dB	-0.1 dB
Input ↔ P ₂	-7.0 dB	-10.4 dB	-15.1 dB

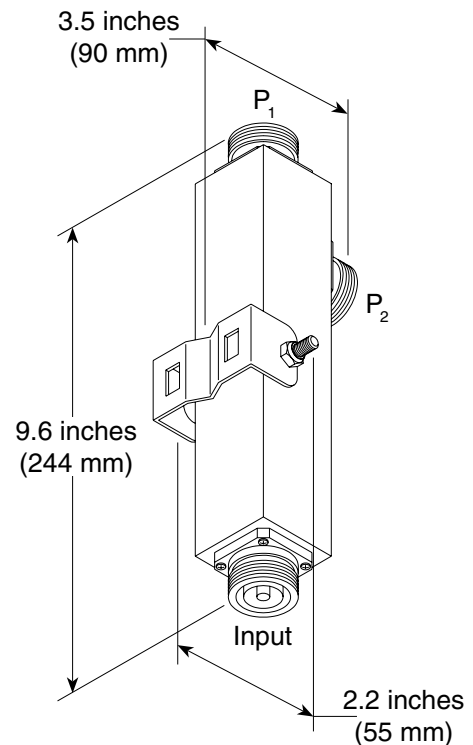


Mounting Option:

Model	Description
131 1847	Mounting Kit for 2 to 5.7 inch (50 to 145 mm) OD mast.

Order Information:

Model	Description
K63236067	Indoor power tap
K63236107	Indoor power tap
K63236157	Indoor power tap



11218-B
936.1641/b

All specifications are subject to change without notice.
The latest specifications are available at www.kathrein-scala.com.