

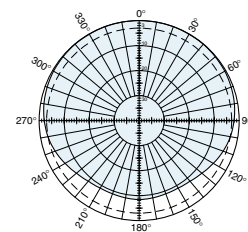
The Kathrein K531921 features:

- DC ground of all metal parts including the mounting kit.
- Constructed of galvanized steel. The mounting clamps are galvanized steel and all fasteners are stainless steel.

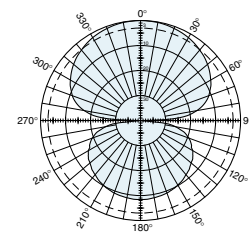
Specifications:

Frequency range	146–174 MHz
Gain	5 dBi
Impedance	50 ohms
VSWR	< 1.4:1
Polarization	Horizontal or vertical
Maximum input power	560 watts (at 50°C)
H-plane beamwidth	170 degrees (half-power)
E-plane beamwidth	80 degrees (half-power)
Connector	N female
Weight	14.3 lb (6.5 kg)
Dimensions	41.7 x 25.6 inches (1060 x 650 mm)
Wind load	at 93 mph (150kph) 33 lbf (145 N)
Wind survival rating*	120 mph (200 kph)
Shipping dimensions	44.3 x 32.1 x 3.6 nches (1124 x 816 x 92 mm)
Mounting	Mounts to masts of 2.375 to 4.9 inch (60 to 125 mm) OD.

* Mechanical design is based on environmental conditions as stipulated in TIA-222-G-2 (December 2009) and/or ETS 300 019-1-4 which include the static mechanical load imposed on an antenna by wind at maximum velocity. See the Engineering Section of the catalog for further details.



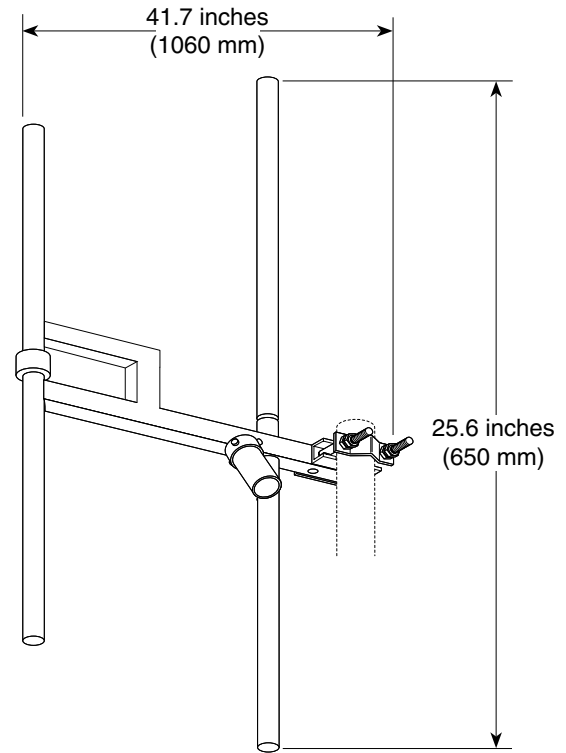
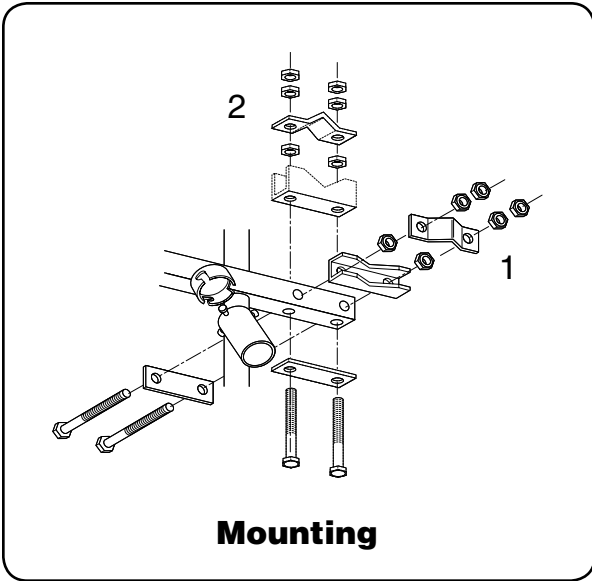
H-plane
Horizontal pattern – V-polarization
Vertical pattern – H-polarization



E-plane
Horizontal pattern – H-polarization
Vertical pattern – V-polarization



10806-B
936.137/b



Mounting Options:

- | | |
|----|-----------------------------|
| 1. | For vertical polarization |
| 2. | For horizontal polarization |

Order Information:

Model	Description
K531921	Yagi antenna with N connector

All specifications are subject to change without notice. The latest specifications are available at www.kathrein-scala.com.

Kathrein Inc., Scala Division Post Office Box 4580 Medford, OR 97501 (USA) Phone: (541) 779-6500 Fax: (541) 779-3991
Email: communications@kathrein.com Internet: www.kathrein-scala.com