

The Kathrein K523031 directional broadband panel antenna is intended for use in professional fixed-station applications in the 100–160 MHz band. It features:

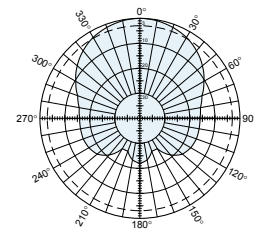
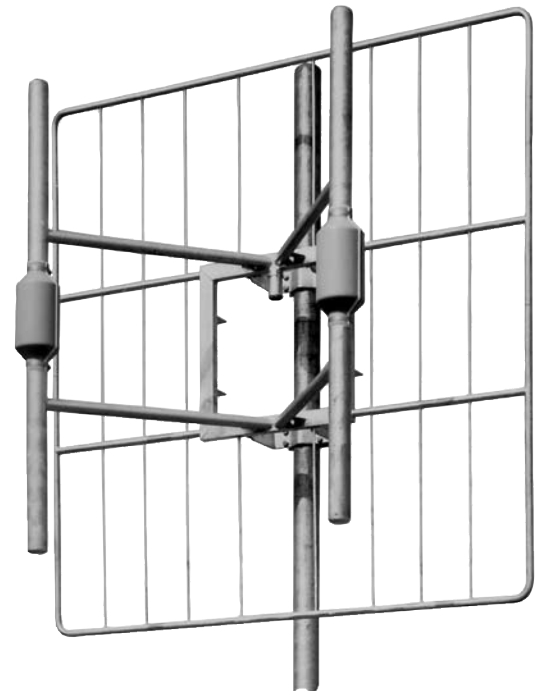
- Heavy-duty construction.
- Hot-dip galvanized steel panel assembly.
- Radiating elements protected with fiberglass radomes.
- Horizontal or vertical polarization.
- Stainless steel hardware throughout.

Specifications:

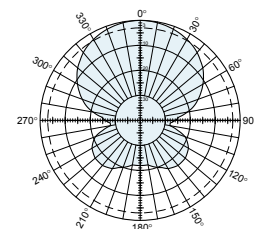
Frequency range	100–160 MHz
Gain	10 dBi
Impedance	50 ohms
VSWR	<1.3:1
Polarization	Horizontal or vertical
Front-to-back ratio	>20 dB
Maximum input power	1590 watts (at 50°)
H-plane beamwidth	62 degrees (half-power)
E-plane beamwidth	64 degrees (half-power)
Connector	N female
Weight	77.2 lb (35 kg)
Dimensions	74.8 x 74.8 x 25.2 inches (1900 x 1900 x 640 mm)
Equivalent flat plate area	11.54 ft ² (1.072 m ²)
Wind survival rating*	120 mph (200 kph)
Shipping dimensions	78.7 x 78.7 x 33.5 inches (2000 x 2000 x 850 mm)
Mounting	Mounting kits are available for masts of 2.375 to 7.9 inches (60 to 200 mm) OD.

See reverse for order information.

* Mechanical design is based on environmental conditions as stipulated in EIA-222-F (June 1996) and/or ETS 300 019-1-4 which include the static mechanical load imposed on an antenna by wind at maximum velocity. See the Engineering Section of the catalog for further details.



H-plane
Horizontal pattern – V-polarization
Vertical pattern – H-polarization

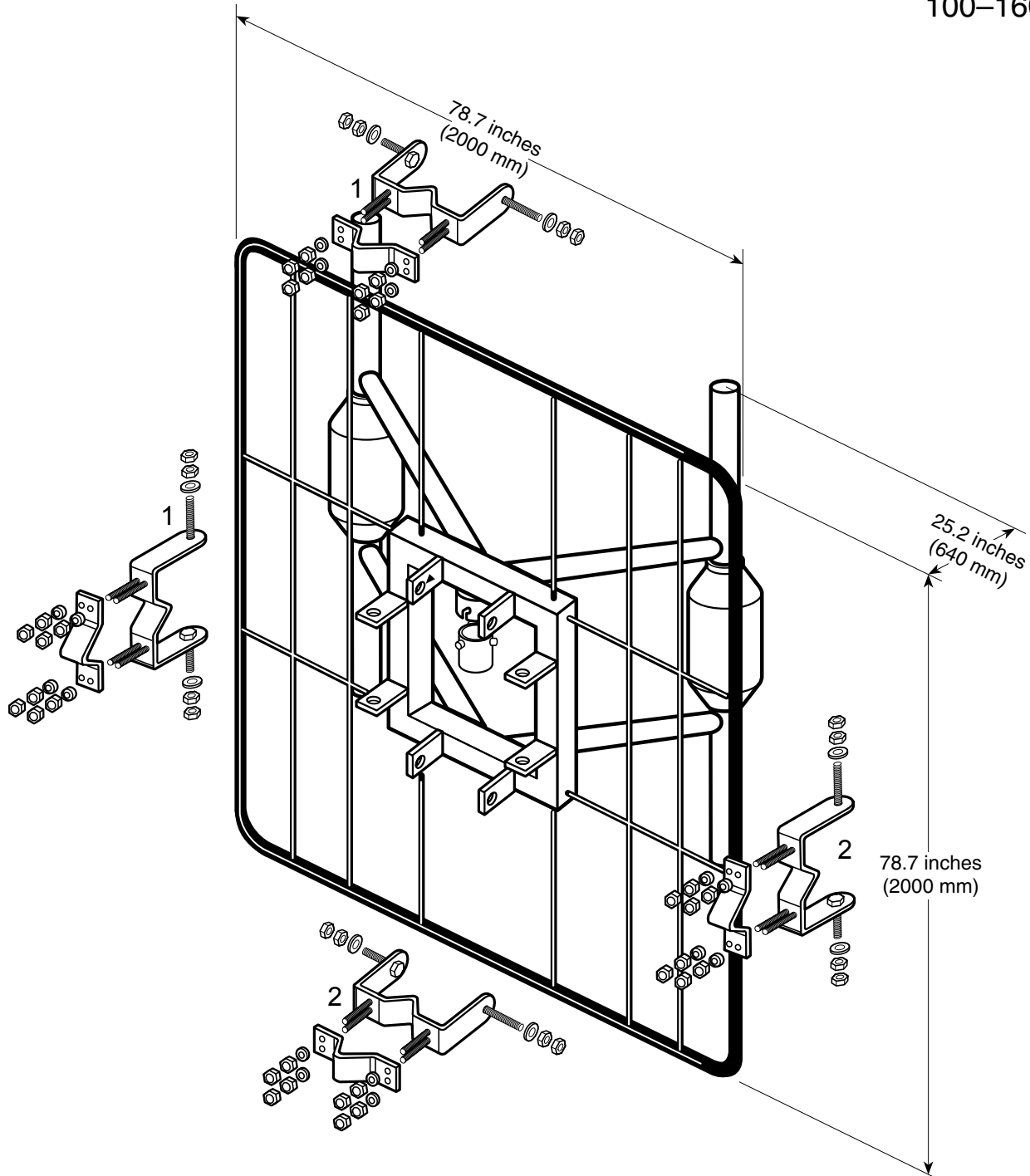


E-plane
Horizontal pattern – H-polarization
Vertical pattern – V-polarization



11120-A
9985.587





1, 2: Pair of clamps K 61 12 0 for pipes of 60 – 115 mm OD or pair of clamps K 61 13 0 for pipes of 115 – 200 mm OD

Required metric wrenches: 19 mm and 24 mm

(Shown vertically polarized)

Order Information:

Model	Description
K523031	Panel antenna with N connector

All specifications are subject to change without notice. The latest specifications are available at www.kathrein-scala.com.

Kathrein Inc., Scala Division Post Office Box 4580 Medford, OR 97501 (USA) Phone: (541) 779-6500 Fax: (541) 779-3991
Email: communications@kathrein.com Internet: www.kathrein-scala.com