

VHF-TV Yagi Antenna
54 to 88 MHz (Channels 2–6)

The Scala HDCA-5 is a ruggedly built yagi antenna, designed for professional VHF-TV transmit and receive applications.

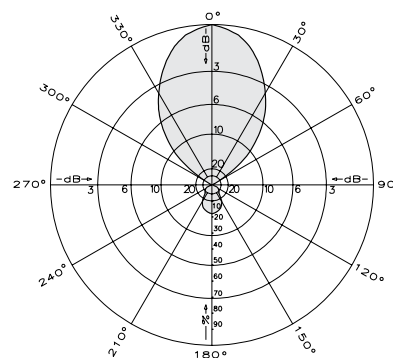
Like all Scala antennas, the HDCA-5 is made of the finest materials resulting in superior performance and long service life.

The HDCA-5 may be used stand-alone or in stacked arrays for higher gain, increased side-lobe suppression, or custom azimuth patterns.

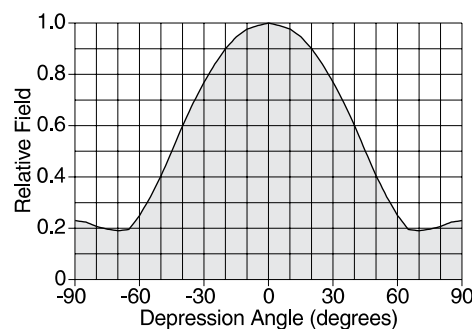


Specifications:

| | | | |
|----------------------|---|--------------------------------------|------|
| Frequency range | Any specified VHF-TV channel 54 to 88 MHz | | |
| Gain | Gain | Power gain | |
| | Channels 2–3 | 6.75 dBd | 4.73 |
| | Channels 4–6 | 7.5 dBd | 5.62 |
| Impedance | 75 ohms (50 ohms with optional transformer) | | |
| VSWR | < 1.5:1 | | |
| Polarization | Horizontal or vertical | | |
| Front-to-back ratio | >14 dB | | |
| Maximum input power | 250 watts, type "N" 75 ohm termination | | |
| Azimuth pattern | | | |
| | Channels 2–3 | 58 degrees (half-power) | |
| | Channels 4–6 | 52 degrees (half-power) | |
| Elevation pattern | 68 degrees (half-power) | | |
| Connector | 75Ω N female | | |
| Weight | 19.7 lb (9 kg) maximum | | |
| Dimensions | 106.5 x 105.9 inches maximum (2705 x 2690 mm) | | |
| Wind load | at 100 mph (160 kph) | | |
| Front | 127 lbf (564 N) maximum | | |
| Wind survival rating | 120 mph (194 kph) | | |
| Shipping dimensions | 112 x 6 x 5 inches maximum (2845 x 153 x 127 mm) | | |
| Shipping weight | 25 lb (11.3 kg) maximum | | |
| Mounting | For masts of 2.375 inches (60 mm) OD. | | |
| | HDCA-5/HCM | Horizontal polarization center-mount | |
| | HDCA-5/HRM | Horizontal polarization rear-mount | |



Azimuth pattern (E-plane - typical)



Elevation pattern (H-plane)

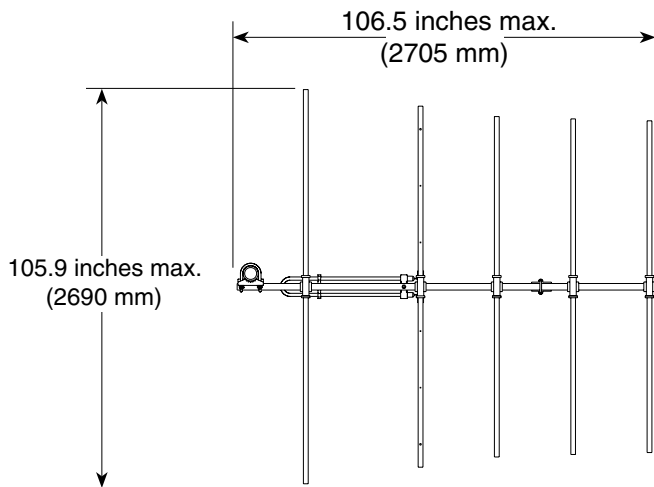
*Mechanical design is based on environmental conditions as stipulated in TIA-222-G-2 (December 2009) and/or ETS 300 019-1-4 which include the static mechanical load imposed on an antenna by wind at maximum velocity. See the Engineering Section of the catalog for further details.

Order Information:

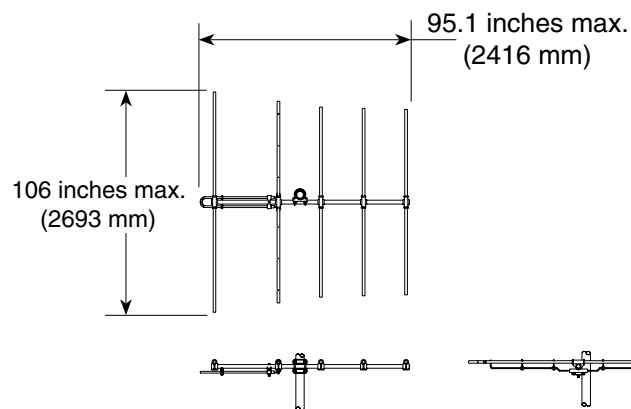
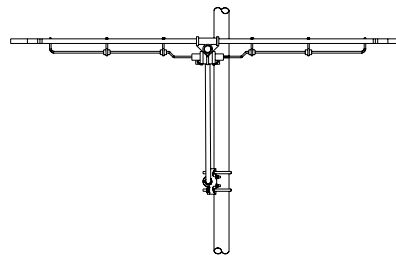
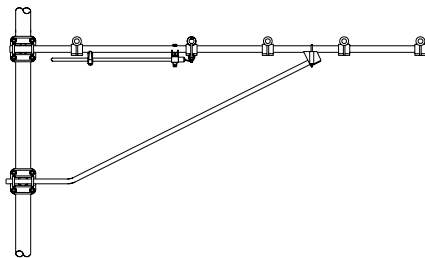
Contact Scala Customer Service for detailed order information.



10743-C



HDCA-5/HRM
Horizontally polarized
Channels 2-6



HDCA-5/HCM
Horizontally polarized
Channels 2-6

Order Information:

Contact Scala Customer Service for detailed order information.