

VHF-TV Yagi Antenna  
54 to 88 MHz (Channels 2–6)  
174 to 216 MHz (Channels 7–13)  
Circularly Polarized

The Scala HDCA-5CP/CM and HDCA-5CP/RM are ruggedly built yagi antennas, designed for professional VHF-TV transmit and receive applications.

Like all Scala antennas, the HDCA-5CP's are made of the finest materials resulting in superior performance and long service life.

The HDCA-5CP's may be used stand-alone or in stacked arrays for higher gain, increased side-lobe suppression, or custom azimuth patterns.

**Specifications:**

Frequency range	Any specified VHF-TV channel 54 to 88 MHz or 174 to 216 MHz		
Gain	Gain	Power gain	
	Channels 2–3	3.7 dBd	2.34
	Channels 4–6	4.5 dBd	2.82
	Channels 7–13	5 dBd	3.16
Impedance	50 or 75 ohms		
VSWR	< 1.5:1		
Polarization	Circular		
Front-to-back ratio	> 16.8 dB		
Maximum input power	250 watts 50Ω		
	100 watts 75Ω		
Azimuth pattern	63 degrees (half-power)		
Elevation pattern	63 degrees (half-power)		
Connector	50Ω N or 75Ω N female		
Weight	38 lb (17.2 kg)		
Dimensions	107 x 106.5 inches maximum		
	(2718 x 2705 mm)		
Wind load	at 100 mph (160 kph)		
	123 lbf (546 N) maximum		
Wind survival rating*	120 mph (200 kph)		
Shipping dimensions	125 x 10 x 6 inches maximum		
	(3175 x 254 x 152 mm)		
Shipping weight	46 lb (20.9 kg) maximum		
Mounting	For masts of 2.375 inches		
	(60 mm) OD.		
	<b>HDCA-5CP/CM</b>	Center-mount (channels 2–6)	
	<b>HDCA-5CP/RM</b>	Rear-mount (channels 2–6 and 7–13)	

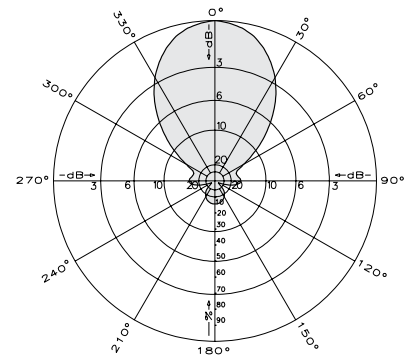
\* Mechanical design is based on environmental conditions as stipulated in TIA-222-G-2 (December 2009) and/or ETS 300 019-1-4 which include the static mechanical load imposed on an antenna by wind at maximum velocity. See the Engineering Section of the catalog for further details.

**Order Information:**

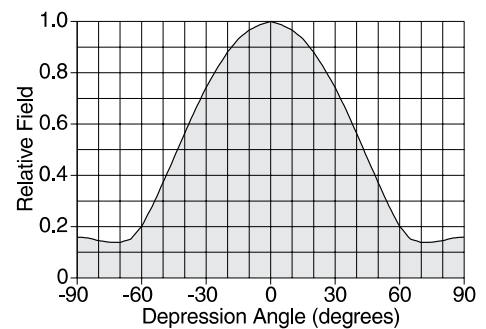
Contact Scala Customer Service for detailed order information.



**HDCA-5CP/RM**



**Azimuth pattern (typical)**

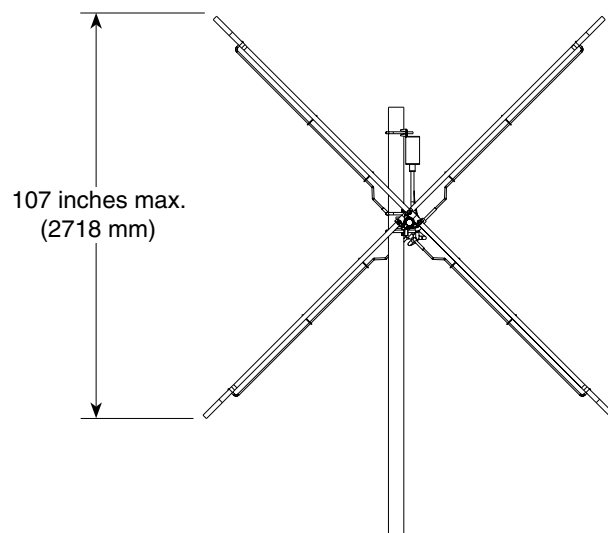
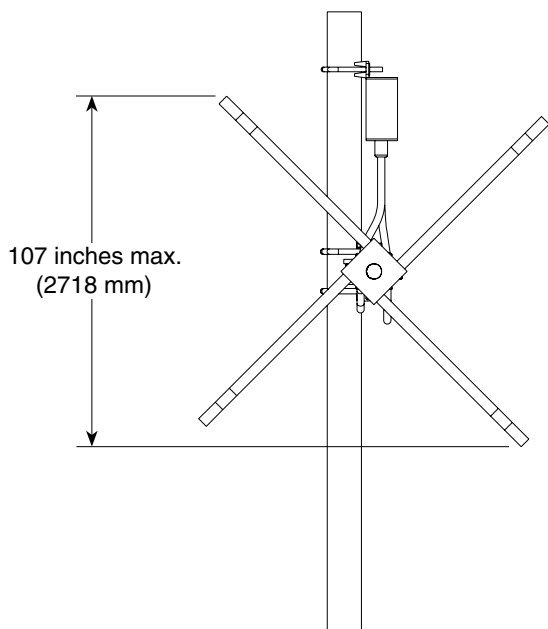
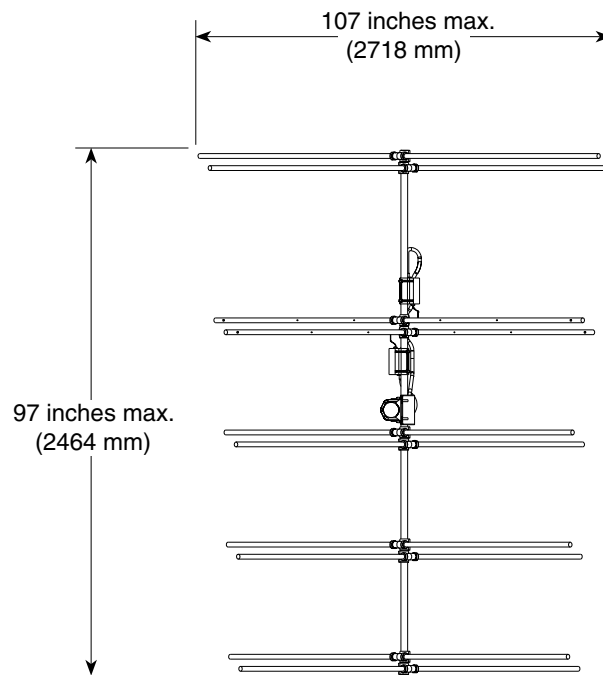
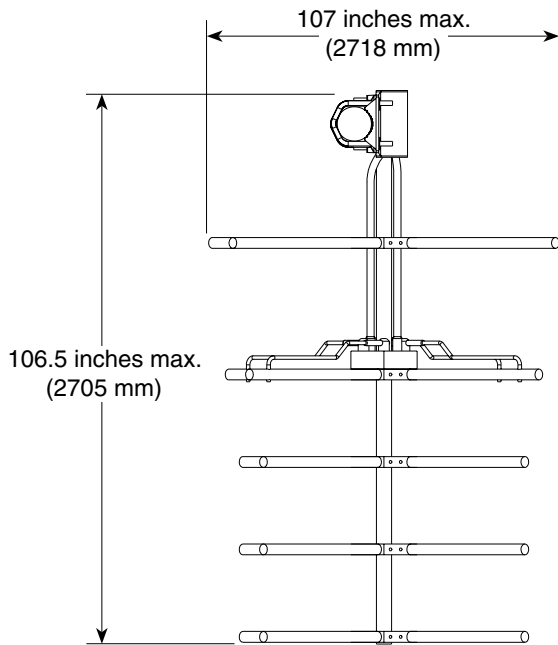


**Elevation pattern (typical)**



10745-D

VHF-TV Yagi Antenna  
54 to 88 MHz (Channels 2–6)  
174 to 216 MHz (Channels 7–13)  
Circularly Polarized



**Order Information:**

Contact Scala Customer Service for detailed order information.

All specifications are subject to change without notice. The latest specifications are available at [www.kathrein-scala.com](http://www.kathrein-scala.com).

Kathrein Inc., Scala Division Post Office Box 4580 Medford, OR 97501 (USA) Phone: (541) 779-6500 Fax: (541) 779-3991  
Email: [communications@kathrein.com](mailto:communications@kathrein.com) Internet: [www.kathrein-scala.com](http://www.kathrein-scala.com)