

The Kathrein-Scala HDCA-5CP/RM is a ruggedly built yagi antenna, designed for professional FM transmit and receive applications.

Like all Kathrein-Scala antennas, the HDCA-5CP/RM is made of the finest materials resulting in superior performance and long service life.

The HDCA-5CP/RM may be used stand-alone or in stacked arrays for higher gain, increased side-lobe suppression, or custom azimuth patterns.



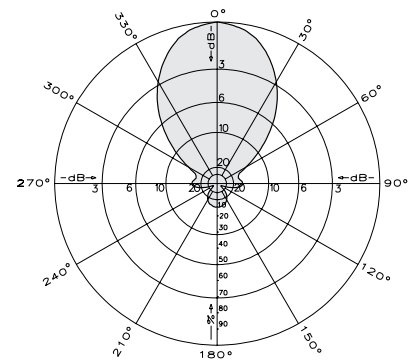
Specifications:

Frequency range	Any specified FM channel 88 to 108 MHz
Gain	4.5 dBd
Power gain	2.82
Impedance	50 or 75 ohms
VSWR	< 1.5:1
Polarization	Circular
Front-to-back ratio	>14 dB
Maximum input power	100 watts (75Ω N) 250 watts (50Ω N)
Azimuth pattern	62 degrees (half-power)
Elevation pattern	62 degrees (half-power)
Connector	50Ω N or 75Ω N
Weight	34.5 lb (15.6 kg)
Dimensions	74.1 x 54 x 51 inches maximum (1882 x 1372 x 1295 mm)
Equivalent flat plate area	2.69 ft ² (0.25 m ²) maximum
Wind survival rating*	120 mph (200 kph)
Shipping dimensions	84 x 13 x 8 inches maximum (2134 x 330 x 203 mm)
Shipping weight	37.5 lb (15.6 kg)
Mounting	For masts of 2.375 inches (60 mm) OD.

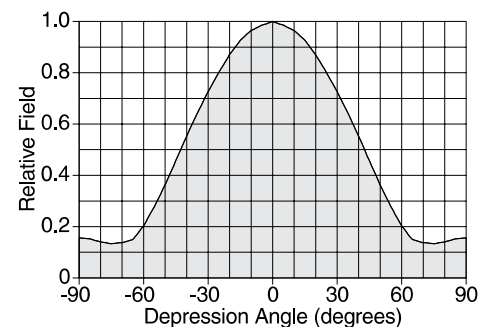
* Mechanical design is based on environmental conditions as stipulated in EIA-222-F (June 1996) and/or ETS 300 019-1-4 which include the static mechanical load imposed on an antenna by wind at maximum velocity. See the Engineering Section of the catalog for further details.

Order Information:

Contact Kathrein-Scala Customer Service for detailed order information.



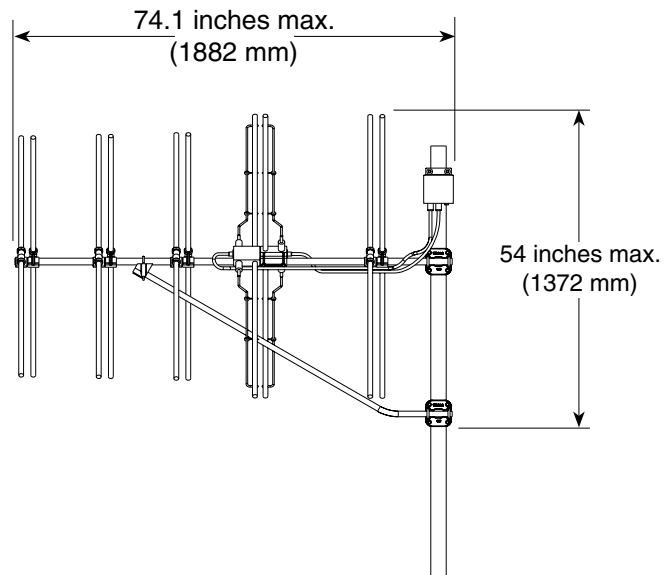
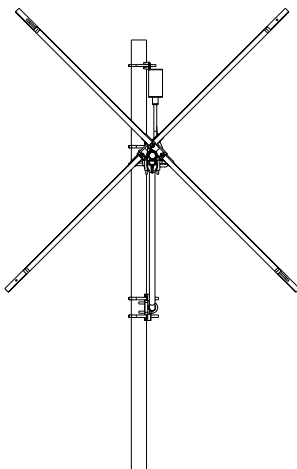
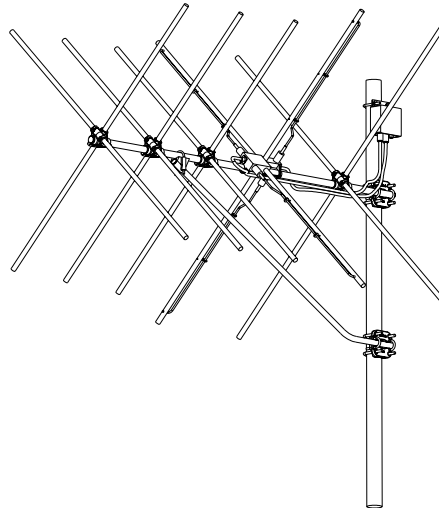
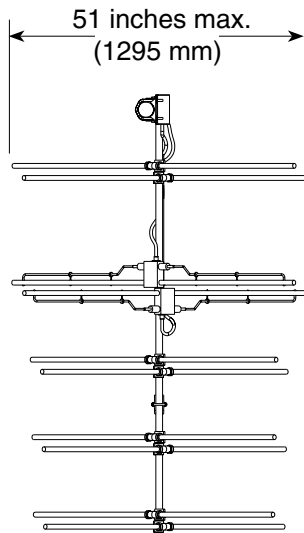
Azimuth pattern



Elevation pattern



10768-A



Order Information:

Contact Kathrein-Scala Customer Service for detailed order information.

All specifications are subject to change without notice. The latest specifications are available at www.kathrein-scala.com.

Kathrein Inc., Scala Division Post Office Box 4580 Medford, OR 97501 (USA) Phone: (541) 779-6500 Fax: (541) 779-3991
Email: broadcast@kathrein.com Internet: www.kathrein-scala.com