

HDCA-5

FM YAGI ANTENNA

7.5 dBd gain
88 to 108 MHz

The Kathrein-Scala HDCA-5 is a ruggedly built yagi antenna, designed for professional FM transmit and receive applications.

Like all Kathrein-Scala antennas, the HDCA-5 is made of the finest materials resulting in superior performance and long service life.

The HDCA-5 may be used stand-alone or in stacked arrays for higher gain, increased side-lobe suppression, or custom azimuth patterns.



HDCA-5/HRM
Horizontally polarized

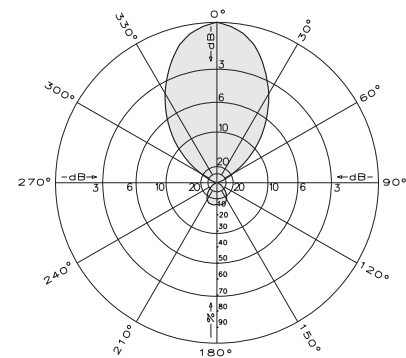
Specifications:

Frequency range	Any specified FM channel 88 to 108 MHz
Gain	7.5 dBd
Impedance	75 ohms (50 ohms with optional transformer)
VSWR	< 1.5:1
Polarization	Horizontal
Front-to-back ratio	>14 dB
Maximum input power	250 watts, type "N" 75 ohm termination
Azimuth pattern	52 degrees (half-power)
Elevation pattern	68 degrees (half-power)
Connector	75Ω N female
Weight	21 lb (9.5 kg)
Dimensions	72.2 x 69.3 x 28.8 inches maximum (1834 x 1760 x 732 mm)
Equivalent flat plate area	2.88 ft ² (0.268 m ²) maximum
Wind survival rating*	120 mph (200 kph)
Shipping dimensions	78 x 6 x 5 inches (1981 x 153 x 127 mm)
Shipping weight	23 lb (10.4 kg)
Mounting	For masts of 2.375 inches (60 mm) OD.
HDCA-5/HCM	Horizontal polarization center-mount
HDCA-5/HRM	Horizontal polarization rear-mount

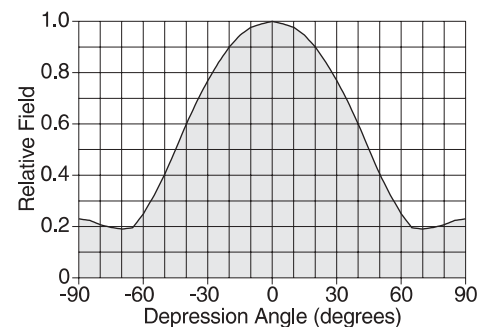
* Mechanical design is based on environmental conditions as stipulated in EIA-222-F (June 1996) and/or ETS 300 019-1-4 which include the static mechanical load imposed on an antenna by wind at maximum velocity. See the Engineering Section of the catalog for further details.

Order Information:

Contact Scala Customer Service for detailed order information.



Azimuth pattern (E-plane - typical)



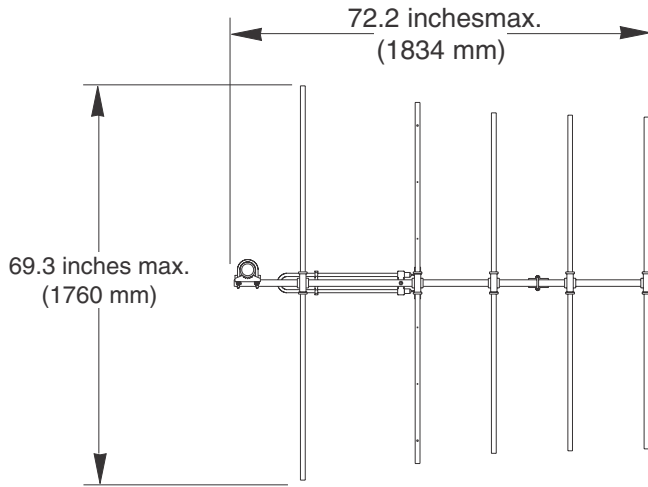
Elevation pattern (H-plane)



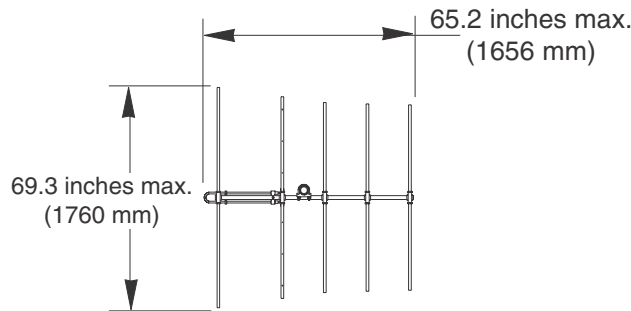
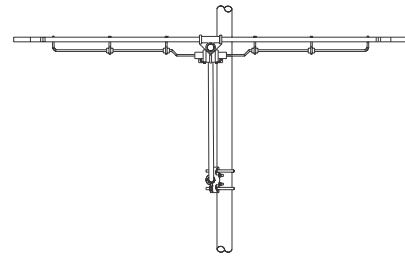
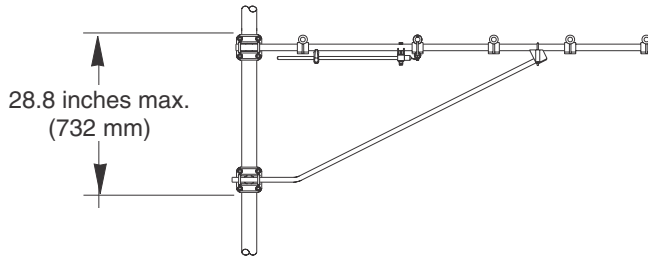
10766-A

HDCA-5
FM YAGI ANTENNA

7.5 dBd gain
88 to 108 MHz



HDCA-5/URM
Horizontally polarized



HDCA-5/HCM
Horizontally polarized



Order Information:

Contact Kathrein-Scala Customer Service for detailed order information.

All specifications are subject to change without notice