

The Kathrein-Scala HDCA-10 is a ruggedly built yagi antenna, designed for professional FM transmit and receive applications.

Like all Kathrein-Scala antennas, the HDCA-10 is made of the finest materials resulting in superior performance and long service life.

The HDCA-10 may be used stand-alone or in stacked arrays for higher gain, increased side-lobe suppression, or custom



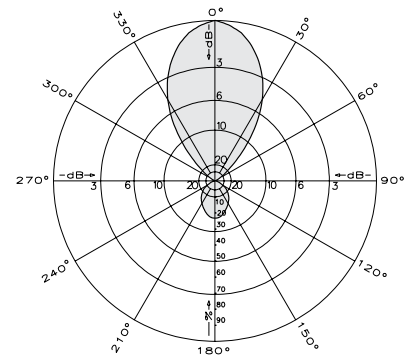
Specifications:

Frequency range	Any specified FM channel 88 to 108 MHz
Gain	9.5 dBd
Power gain	8.91
Impedance	75 ohms (50 ohms with optional transformer)
VSWR	< 1.5:1
Polarization	Horizontal
Front-to-back ratio	>14 dB
Maximum input power	250 watts, type "N" 75 ohm termination
Azimuth pattern	48 degrees (half-power)
Elevation pattern	50 degrees (half-power)
Connector	75Ω N female
Weight	34 lb (15.4 kg)
Dimensions	132.2 x 70.6 inches max. (3359 x 1794 mm)
Equivalent flat plate area	5.12 ft ² (0.475 m ²) max
Wind survival rating*	120 mph (160 kph)
Shipping dimensions	125 x 6 x 5 inches (3175 x 153 x 127 mm)
Shipping weight	37 lb (16.8 kg)
Mounting	For masts of 2.375 inches (60 mm) OD.
HDCA-10/HCM	Horizontal polarization center-mount
HDCA-10/HRM	Horizontal polarization rear-mount

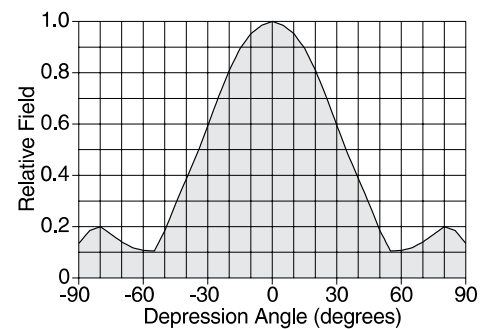
* Mechanical design is based on environmental conditions as stipulated in EIA-222-F (June 1996) and/or ETS 300 019-1-4 which include the static mechanical load imposed on an antenna by wind at maximum velocity. See the Engineering Section of the catalog for further details.

Order Information:

Contact Kathrein-Scala Customer Service for detailed order information.



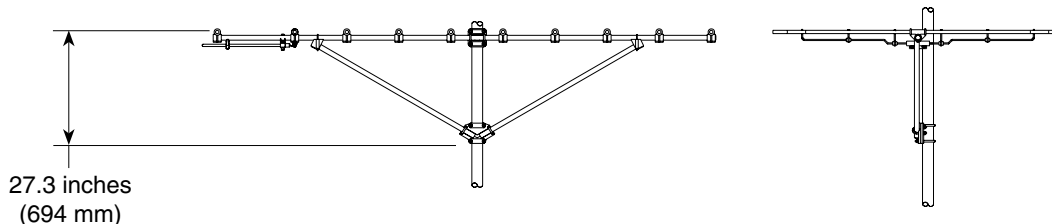
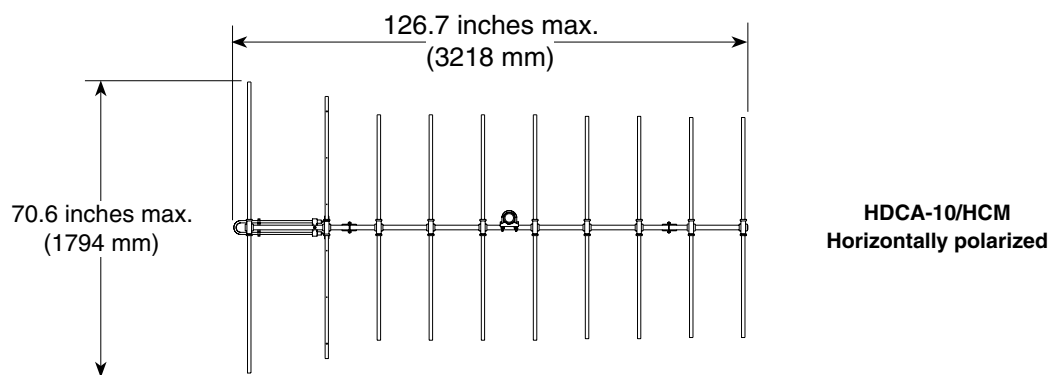
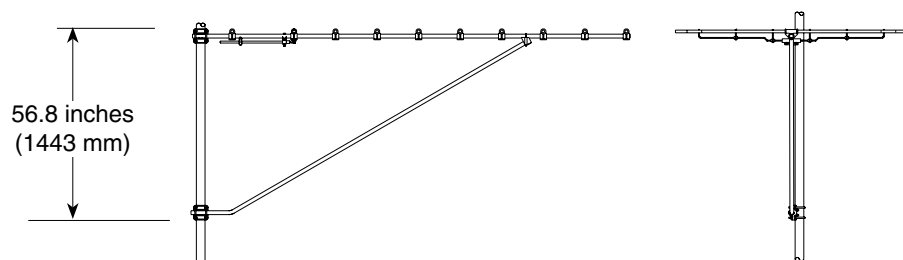
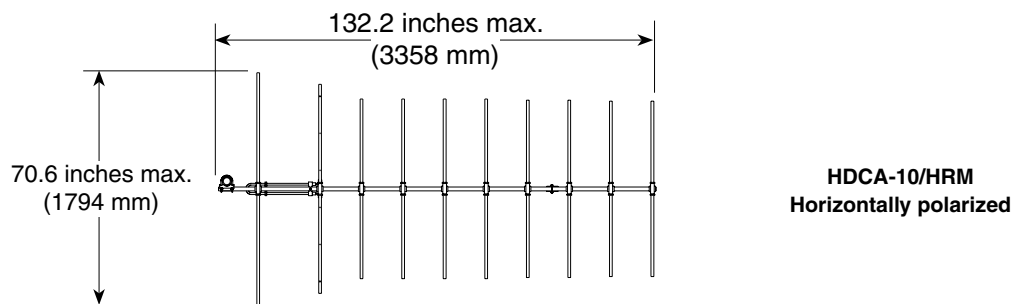
Azimuth pattern (E-plane - typical)



Elevation pattern (H-plane)



10767-A



Order Information:

Contact Kathrein-Scala Customer Service for detailed order information.