

The Kathrein HDB-155 (K552921) and K55292 broadband dipole antennas are intended for use in professional fixed-station applications in the 146–174 MHz band. They feature:

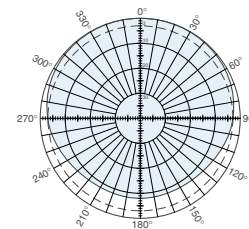
- Broad pattern with moderate gain.
- Very strong and weatherproof design.
- Hot-dip galvanized steel construction.
- Elements can be stacked for additional gain.
- Stainless steel hardware throughout.
- Entire antenna at DC ground potential.

Specifications:

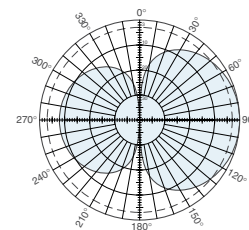
Frequency range	146–174 MHz
Gain	2 dBd
Impedance	50 ohms
VSWR	<1.4:1
Polarization	Vertical
Maximum input power	440 watts
H-plane beamwidth	Varies with mast diameter
E-plane beamwidth	78 degrees
Connector	7-16 DIN or N female
Weight	9.9 lb (4.5 kg)
Dimensions	33.1 x 19.7 inches (840 x 500 mm)
Equivalent flat plate area	0.65 ft ² (0.06 m ²)
Wind survival rating*	120 mph (200 kph)
Shipping dimensions	34 x 23.5 x 3.4 inches (864 x 598 x 87 mm)
Shipping weight	13.2 lb (6 kg)
Mounting	For masts of 2.375 to 4.9 inch (60 to 125 mm) OD.

See reverse for order information.

* Mechanical design is based on environmental conditions as stipulated in EIA-222-F (June 1996) and/or ETS 300 019-1-4 which include the static mechanical load imposed on an antenna by wind at maximum velocity. See the Engineering Section of the catalog for further details.



H-plane
Horizontal pattern – V-polarization

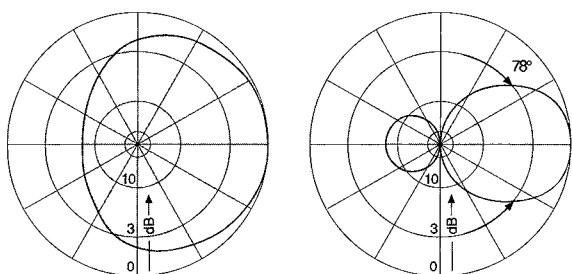
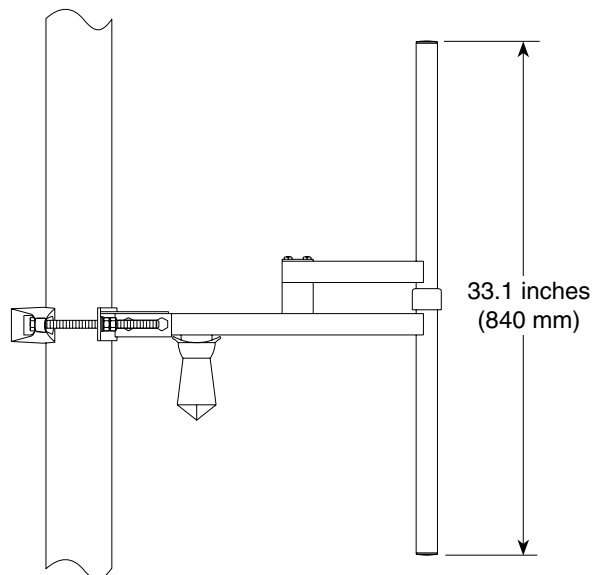
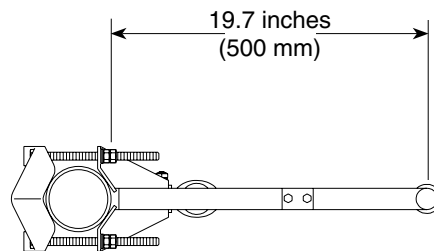
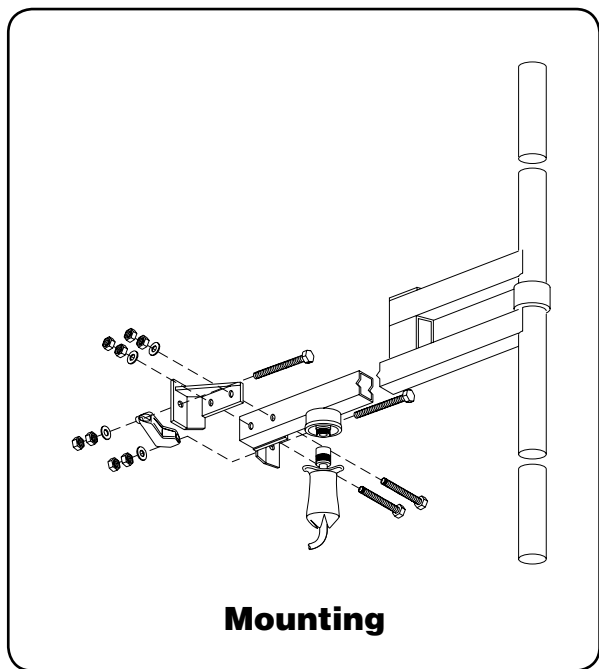


E-plane
Vertical pattern – V-polarization

Patterns shown using 2.375 inch (60 mm) OD mast.
See additional patterns on reverse.



10238-B
936.062/c



Patterns using 4.5 inch (115 mm) OD mast.

Order Information:

Model	Description
HDB-155 (K552921)	Dipole antenna with N connector
K55292	Dipole antenna with 7-16 DIN connector

All specifications are subject to change without notice. The latest specifications are available at www.kathrein-scala.com.