

Kathrein Scala E-911 antennas feature:

- Receives both GPS precision timing signals .
- Assists in compliance with FCC GPS location requirements.
- All the metal parts are DC grounded.

GPS specifications:

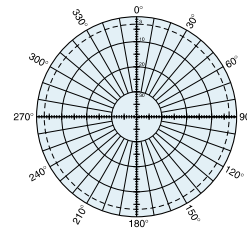
Frequency range	1575.42 ± 10 MHz
Gain	4 dBic
Pre-amp filtering (typical)	-30 dB at ± 100 MHz
Polarization	Righthand circular
H-plane beamwidth	Omni
E-plane beamwidth	105 degrees (half-power)
LNA gain	>26 dB
Noise figure (including pre-filtering)	<1.6 dB
VSWR Antenna	<1.5:1
LNA	<2:1
Connector	N female
DC power	+5 Vdc, 20 mA through N output connector
Temperature range	-35° C to +70° C



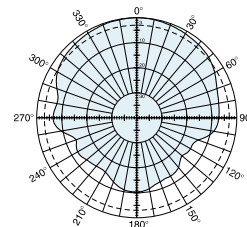
Mechanical specifications:

Weight	1.25 lb (0.57 kg)
Height	5.5 inches (140 mm)
Radome diameter	2 inches (51 mm)
Wind load	at 93 mph (150kph)
Side	2 lbf (6 N)
Wind survival rating	120 mph (200 kph)
Mounting	Hardware is included for mounting to a 2.125 to 3 inch (75 to 55 mm) OD mast.

See reverse for order information.



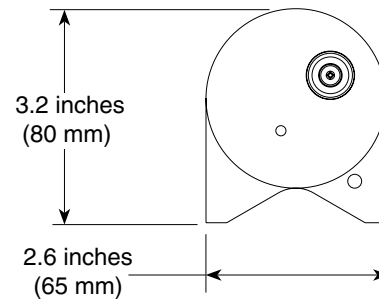
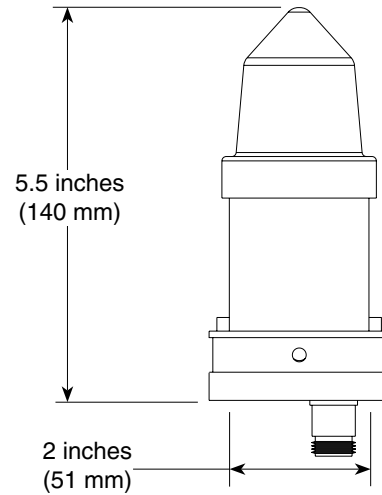
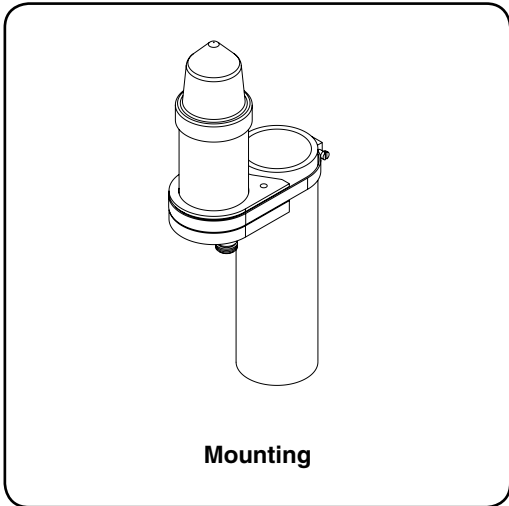
Horizontal pattern



Vertical pattern



10833-C



Order Information:

Model	Description
GPS-C	GPS Antenna

All specifications are subject to change without notice. The latest specifications are available at www.kathrein-scala.com.

Kathrein Inc., Scala Division Post Office Box 4580 Medford, OR 97501 (USA) Phone: (541) 779-6500 Fax: (541) 779-3991
 Email: communications@kathrein.com Internet: www.kathrein-scala.com