

The Kathrein Scala Division GPB-150 omnidirectional groundplane antenna is intended for use in professional fixed-station applications in the 146–174 MHz band. It features:

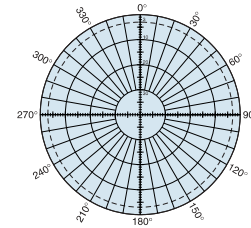
- A design based on decades of proven reliability.
- Variable mounting configurations allow feeder cable to be run inside or outside the support pipe.
- Entire antenna at DC ground potential.
- Stainless steel ground radials, hardware, and fastenings.



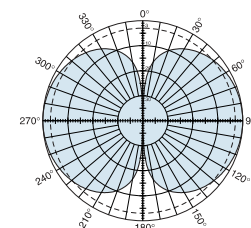
**Specifications:**

Frequency range	146–174 MHz (broadband)
Gain	0 dBd
Impedance	50 ohms
VSWR	<1.5:1
Polarization	Vertical
Maximum input power	700 watts (at 50°C)
H-plane beamwidth	Omni
E-plane beamwidth	78 degrees (half-power)
Connector	N female
Weight	2.6 lb (1.2 kg)
Height	14.5 inches (368 mm)
Equivalent flat plate area	0.24 ft <sup>2</sup> (0.022 m <sup>2</sup> )
Wind survival rating*	120 mph (200 kph)
Shipping dimensions	25.7 x 4.4 x 3.8 inches (654 x 112 x 97 mm)
Shipping weight	4 lb (1.9 kg)
Mounting	For masts of 0.8 to 2.1 inches (20 to 54 mm) OD.

*See reverse for order information.*



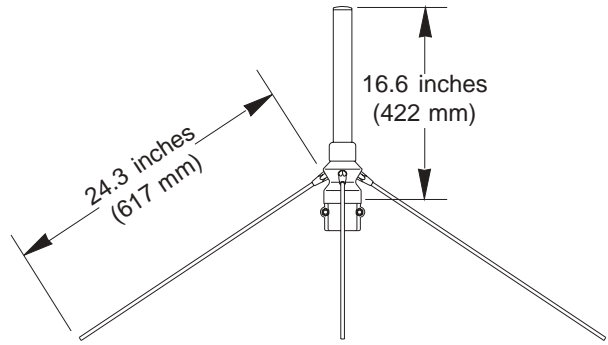
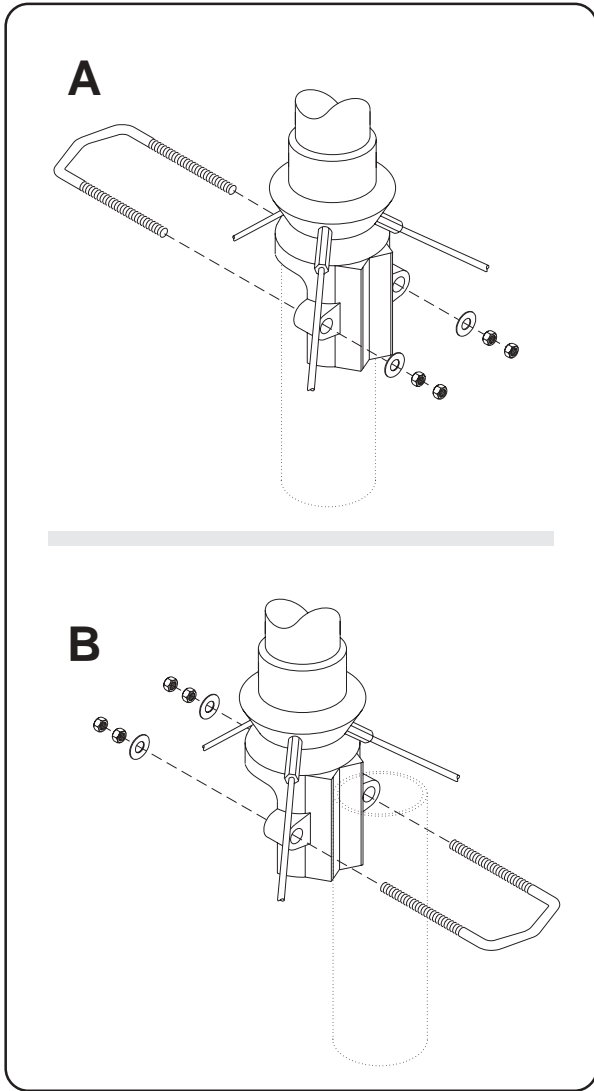
H-plane  
Horizontal pattern – V-polarization



E-plane  
Vertical pattern – V-polarization

\* Mechanical design is based on environmental conditions as stipulated in EIA-222-F (June 1996) and/or ETS 300 019-1-4 which include the static mechanical load imposed on an antenna by wind at maximum velocity. See the Engineering Section of the catalog for further details.





**Mounting Options:**

	Description
A	Mounting for 1.6 to 2.1 inch (40 to 54 mm) OD mast
B	Mounting for 0.8 to 1.6 inch (20 to 40 mm) OD mast

**Order Information:**

Model	Description
GPB-150N 711-530	146–174 MHz Omni Antenna with N connector

All specifications are subject to change without notice