

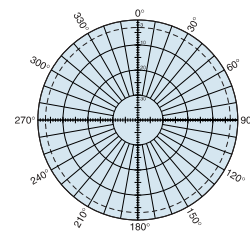
Omnidirectional Antenna
0 dBd gain
27–54 MHz

The Kathrein GP-30 omnidirectional groundplane antenna is intended for use in professional fixed-station applications in the 27–54 MHz band. It features:

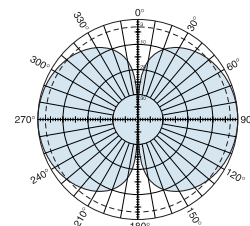
- Variable mounting configurations allow feeder cable to be run inside or outside the support pipe.
- Easy assembly.
- All metal parts at DC ground potential.
- Stainless steel hardware and fastenings.
- Fiberglass element construction.

Specifications:

Frequency range	27 to 54 MHz (specify frequency)
Gain	0 dBd
Impedance	50 ohms
VSWR	See charts below
Polarization	Vertical
Maximum input power	400 watts (at 50°C)
H-plane beamwidth	Omni
E-plane beamwidth	78 degrees
Connector	N or UHF female
Weight	3.53 lb (1.6 kg)
Dimensions	
radiating element	98.8 inches (2510 mm) (maximum)
ground radials	98.8 inches (2510 mm) (maximum)
Equivalent flat plate area	1.05 ft ² (0.098 m ²)
Wind survival rating*	84 mph (135 kph)
Shipping dimensions	106 x 5 x 3 inches (2692 x 127 x 76 mm)
Shipping weight	8 lb (3.6 kg)
Mounting	Mounting hardware supplied.
A.	Mounting for 0.8 to 2.2 inch (20 to 54 mm) OD mast.
B.	Mounting for 1.6 to 2.2 inch (40 to 54 mm) OD mast.

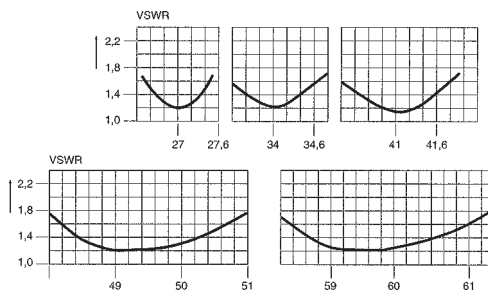


H-plane
Horizontal pattern – V-polarization



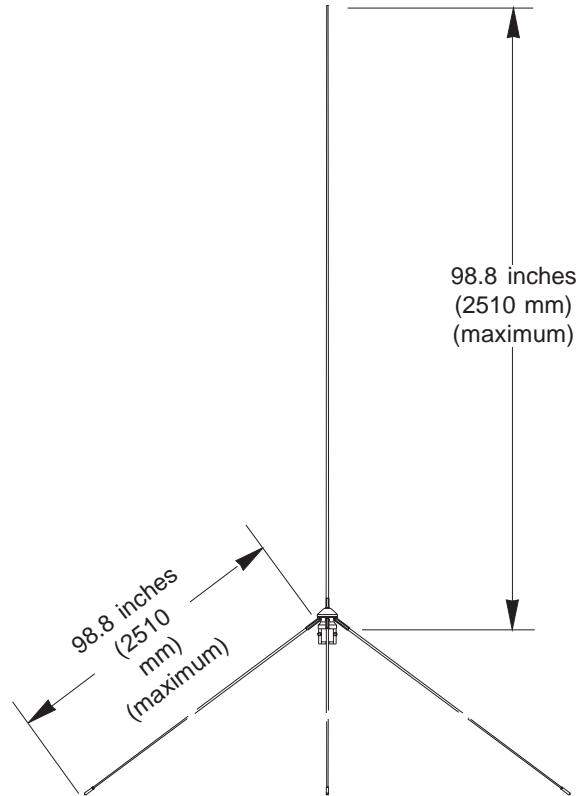
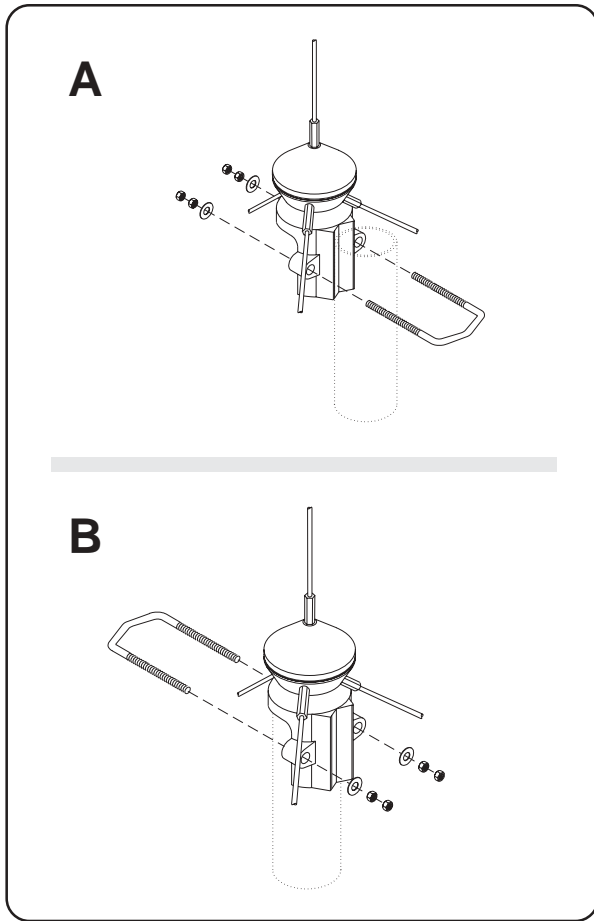
E-plane
Vertical pattern – V-polarization

* Mechanical design is based on environmental conditions as stipulated in EIA-222-F (June 1996) and/or ETS 300 019-1-4 which include the static mechanical load imposed on an antenna by wind at maximum velocity. See the Engineering Section of the catalog for further details.



10216-C

Omnidirectional Antenna
0 dBd gain
27–54 MHz



Mounting Options:

	Description
A	Mounting for 0.8 to 2.2 inch (20 to 54 mm) OD mast
B	Mounting for 1.6 to 2.2 inch (40 to 54 mm) OD mast

Order Information:

Model	Description
GP-30N 717-758	27 to 54 MHz Antenna with N connector
GP-30U K512472	27 to 54 MHz Antenna with UHF connector

All specifications are subject to change without notice