

**FMO series**  
OMNIDIRECTIONAL ANTENNA  
-3, 0, or 3 dBd gain  
88–108 MHz

The Kathrein Scala Division FMO is a ruggedly built, horizontally polarized FM transmit antenna with an omnidirectional pattern.

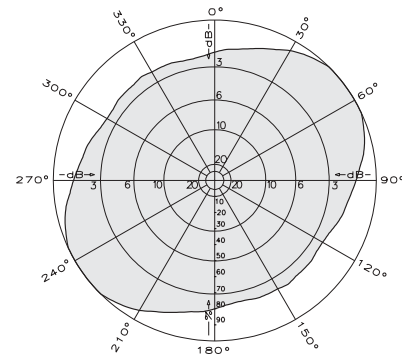
Like all Kathrein Scala Division antennas, the FMO is made of the finest materials using state of the art electrical and mechanical designs resulting in superior performance and long service life.

The FMO is available as a single bay antenna or in vertically stacked arrays for additional gain.



**Specifications:**

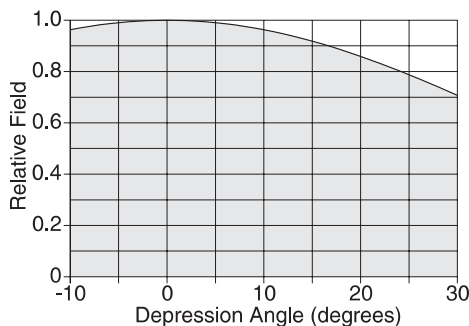
Frequency range	88–108 MHz(broadband)
Gain	
FMO (one bay)	-3 dBd
FMO-2 (two bays)	0 dBd (½ spacing)
FMO-4 (four bays)	3 dBd (½ spacing)
Impedance	50 or 75 ohms
VSWR	<1.5:1
Polarization	Horizontal
Input power (per bay)	
50 Ω model	500 watts
75 Ω model	100 watts
Azimuth pattern	Omni
Connector	N female
Weight (approx.)	
FMO (one bay)	10 lb (4.5 kg)
FMO-2 (Two bays)	28.5 lb (12.9 kg)
FMO-4 (Four bays)	53 lb (24 kg)
Height	
FMO (one bay)	1.5 ft (0.46 m)
FMO-2 (Two bays)	6.5 ft (1.98 m)
FMO-4 (Four bays)	16.5 ft (5.03 m)
Equivalent flat plate area	1.09 ft <sup>2</sup> (0.101 m <sup>2</sup> ) per bay
Wind survival rating*	120 mph (200 kph)
Mounting	For masts of 2.375 inches (60 mm) OD.
<i>See reverse for order information.</i>	



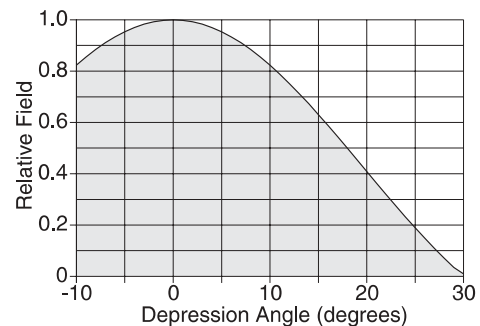
**Azimuth pattern**

\* Mechanical design is based on environmental conditions as stipulated in EIA-222-F (June 1996) and/or ETS 300 019-1-4 which include the static mechanical load imposed on an antenna by wind at maximum velocity. See the Engineering Section of the catalog for further details.

Contact Kathrein Scala Division Sales Engineering for further information on special arrays with higher gain, electrical beamtilt, null fill, and other special features to meet your specific requirements.



**Elevation pattern (two bays)**



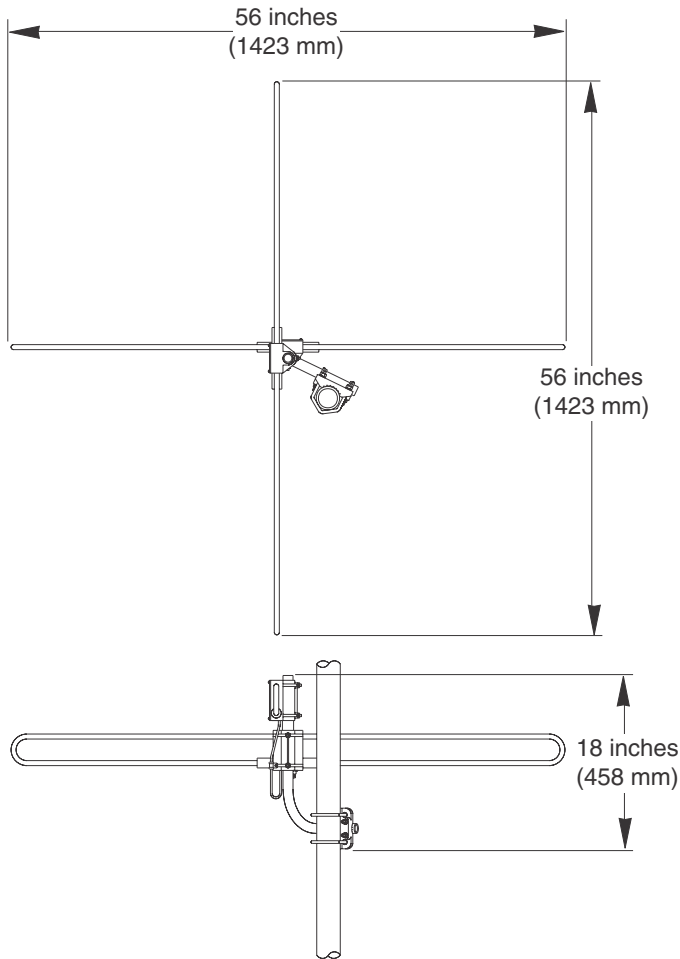
**Elevation pattern (four bays)**



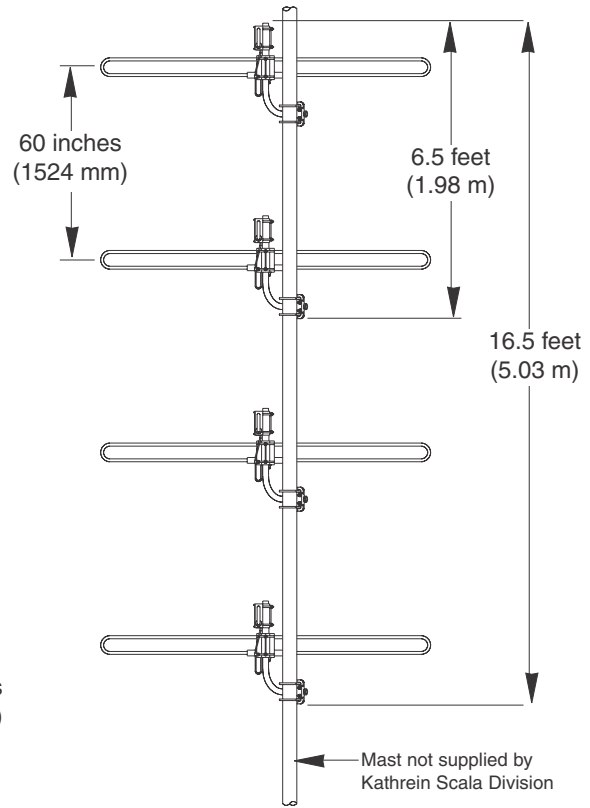
10275-D

**FMO series**  
OMNIDIRECTIONAL ANTENNA  
-3, 0, or 3 dBd gain  
88–108 MHz

Top View



Side View



Four bay array (FMO-4)

**Order Information:**

Model	Description
FMO/50N	Antenna with 50 $\Omega$ N connector
FMO/75N	Antenna with 75 $\Omega$ N connector

All specifications are subject to change without notice