

The Kathrein Scala Division CL-FM is a ruggedly built log-periodic antenna, designed for professional FM transmit and receive applications.

Like all Kathrein Scala Division antennas, the CL-FM is made of the finest materials using state of the art electrical and mechanical designs, resulting in superior performance and long service life.

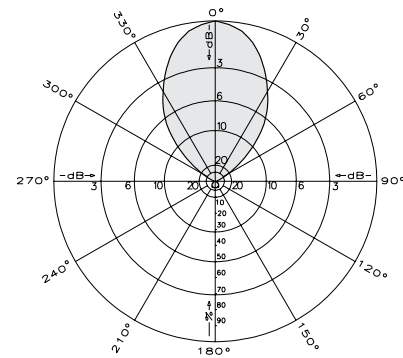
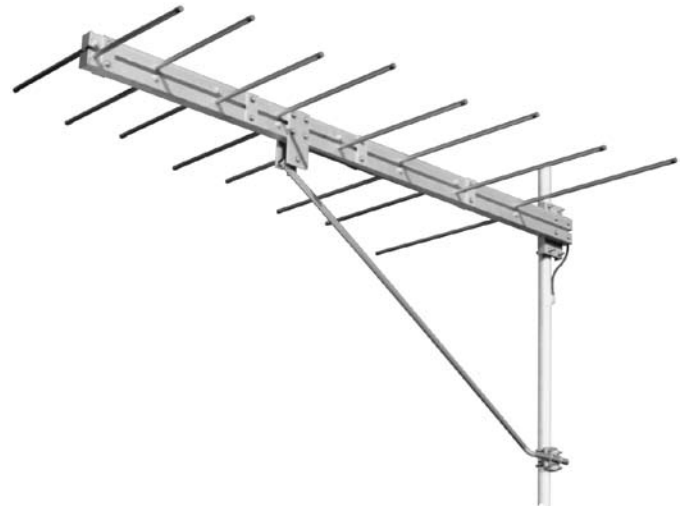
The CL-FM may be used stand-alone or in stacked arrays for higher gain, increased side-lobe suppression, or custom azimuth patterns.

Specifications:

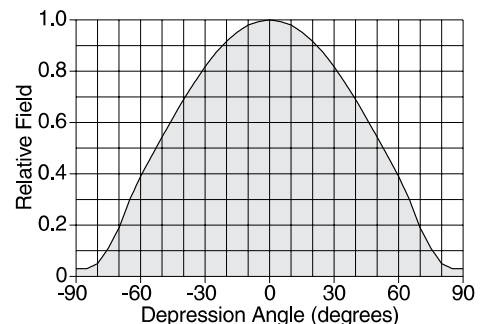
Frequency range	88–108 MHz (broadband)
Gain	7 dBd
Power gain	5.01
Impedance	50 or 75 ohms
VSWR	< 1.5:1
Polarization	Horizontal or vertical
Front-to-back ratio	>25 dB
Maximum input power	250 watts, type "N" 75 ohm connector 500 watts, type "N" 50 ohm connector
Azimuth pattern	52 degrees (half-power) horizontal polarization
Elevation pattern	78 degrees (half-power) horizontal polarization
Connector	Female 50Ω or 75Ω N
Weight	45 lb (20.4 kg)
Dimensions	104 x 67.9 inches (2642 x 1724 mm)
Equivalent flat plate area	
CL-FM/HCM	5.31 ft ² (0.494 m ²)
CL-FM/HRM	5.86 ft ² (0.544 m ²)
CL-FM/VRM	5.86 ft ² (0.544 m ²)
Wind survival rating*	120 mph (200 kph)
Shipping dimensions	116 x 14.5 x 6 inches (2946 x 369 x 153 mm)
Shipping weight	56 lb (25.4 kg)
Mounting	For masts of 2.375 inches (60 mm) OD.
CL-FM/HCM	Horizontal polarization center-mount
CL-FM/HRM	Horizontal polarization rear-mount
CL-FM/VRM	Vertical polarization rear-mount

See reverse for order information.

* Mechanical design is based on environmental conditions as stipulated in EIA-222-F (June 1996) and/or ETS 300 019-1-4 which include the static mechanical load imposed on an antenna by wind at maximum velocity. See the Engineering Section of the catalog for further details.



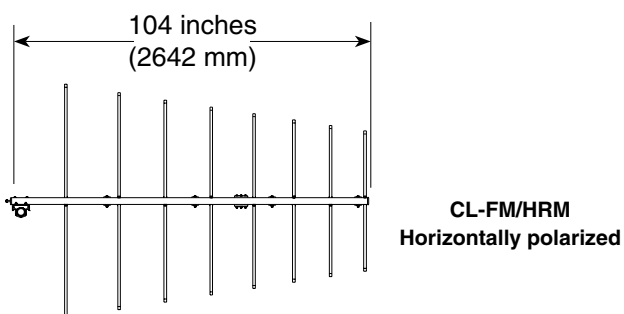
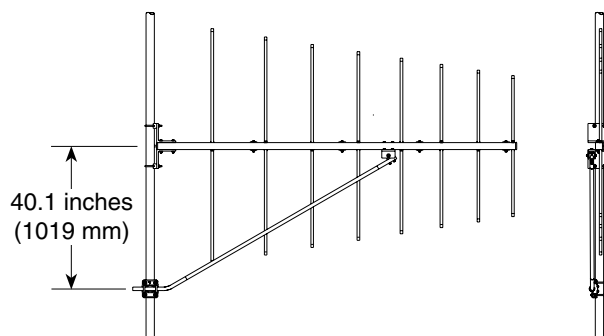
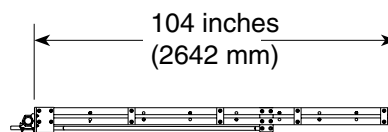
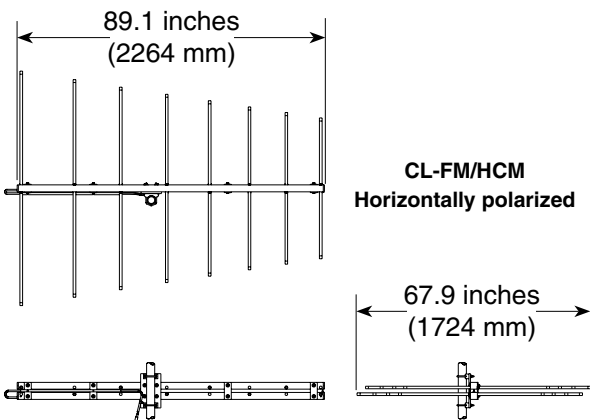
Azimuth pattern (E-plane)



Elevation pattern (H-plane)

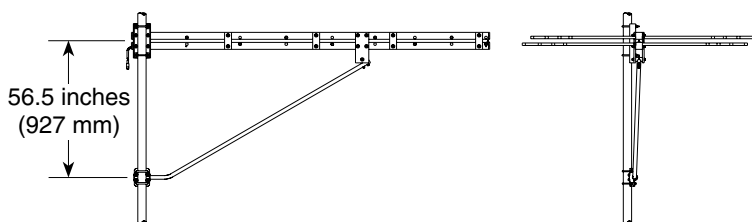


10492-D



CL-FM/VRM
Vertically polarized

Vertically polarized antennas require lateral stabilization (not supplied) to prevent the antenna from turning on the mounting pipe.



Order Information:

Model	Description
CL-FM/HCM/50N	Antenna with 50Ω N connector Horizontal polarization center-mount
CL-FM/HCM/75N	Antenna with 75Ω N connector Horizontal polarization center-mount
CL-FM/HRM/50N	Antenna with 50Ω N connector Horizontal polarization rear-mount

Order Information:

Model	Description
CL-FM/HRM/75N	Antenna with 75Ω N connector Horizontal polarization rear-mount
CL-FM/VRM/50N	Antenna with 50Ω N connector Vertical polarization rear-mount
CL-FM/VRM/75N	Antenna with 75Ω N connector Vertical polarization rear-mount

All specifications are subject to change without notice. The latest specifications are available at www.kathrein-scala.com.