

Kathrein Scala's broadband log-periodic antennas are designed for fixed-station applications. The radiating system is protected by a rugged fiberglass radome to assure reliable and stable operation in heavy icing conditions.

- High front-to-back ratio and absence of sidelobes can help to minimize co-channel and adjacent channel interference problems at sites with congested spectrum.
- Superior electrical specifications including low VSWR, wide bandwidth, flat frequency response and superb intermodulation performance.

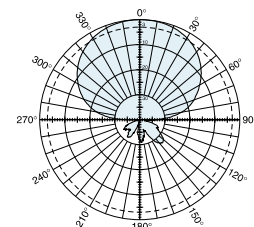


(Shown vertically polarized)

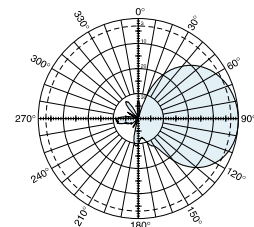
Specifications:

Frequency range	806–960 MHz
Gain	10 dBi
Impedance	50 ohms
VSWR	< 1.5:1
Polarization	Horizontal or vertical
Front-to-back ratio	>35 dB
Maximum input power	500 watts (at 50°C)
H-plane beamwidth	64 degrees (half-power)
E-plane beamwidth	49 degrees (half-power)
Connector	N female
Weight	22 lb (10 kg)
Dimensions	29 x 17 x 12 inches (737 x 432 x 305 mm)
Wind load at 93 mph (150kph)	
Side/Top/Rear	63 lbf / 16 lbf / 37 lbf (279 N) / (69 N) / (164 N)
Wind survival rating*	120 mph (200 kph)
Shipping dimensions	31 x 20 x 14.5 inches (787 x 508 x 368 mm)
Shipping weight	28.0 lb (12.7 kg)
Mounting	Mounting kits available for masts of 2.375 to 4.5 inch (60 to 114 mm) OD.

See reverse for order information.



H-plane
Horizontal pattern – V-polarization
Vertical pattern – H-polarization

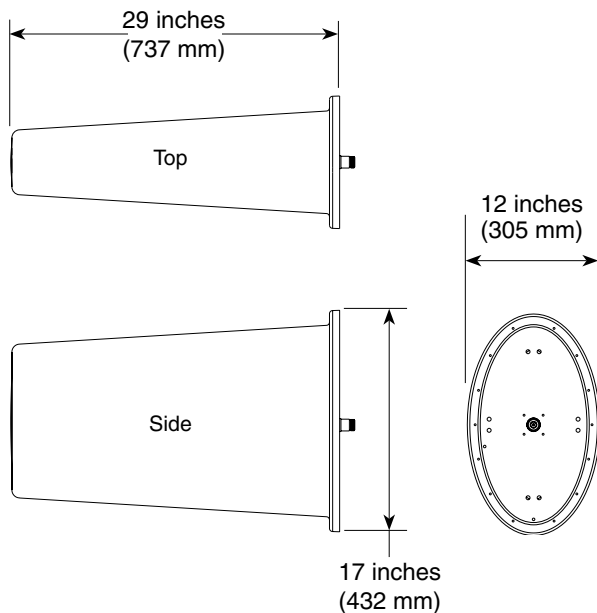
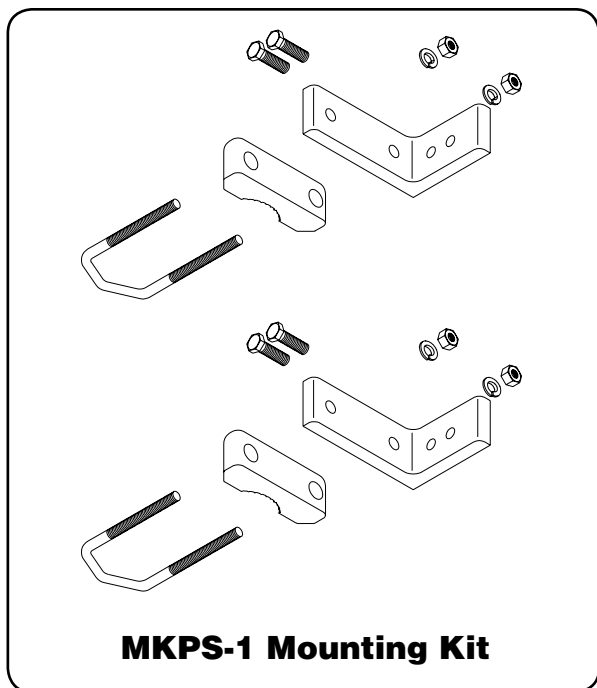


E-plane
Horizontal pattern – H-polarization
Vertical pattern – V-polarization

* Mechanical design is based on environmental conditions as stipulated in TIA-222-G-2 (December 2009) and/or ETS 300 019-1-4 which include the static mechanical load imposed on an antenna by wind at maximum velocity. See the Engineering Section of the catalog for further details.



10042-H



Mounting Options:

Model	Description
MKPS-1	Mounting Kit for 2.375 inch (60 mm) OD mast.
MKPS-2	Mounting Kit for 2.875 inch (73 mm) OD mast.
MKPS-3	Mounting Kit for 3.5 inch (89 mm) OD mast.
MKPS-4	Mounting Kit for 4 inch (102 mm) OD mast.
MKPS-5	Mounting Kit for 4.5 inch (114 mm) OD mast.

Order Information:

Model	Description
CL-900B	Log-Periodic antenna with N connector

All specifications are subject to change without notice. The latest specifications are available at www.kathrein-scala.com.