

CL-713
VHF-TV LOG-PERIODIC ANTENNA
9 dBd gain
174–216 MHz (Channels 7–13)

The Kathrein Scala Division CL-713 is a ruggedly built, horizontally polarized log-periodic antenna, designed for professional VHF-TV transmit and receive applications.

Like all Kathrein Scala Division antennas, the CL-713 is made of the finest materials using state of the art electrical and mechanical designs, resulting in superior performance and long service life.

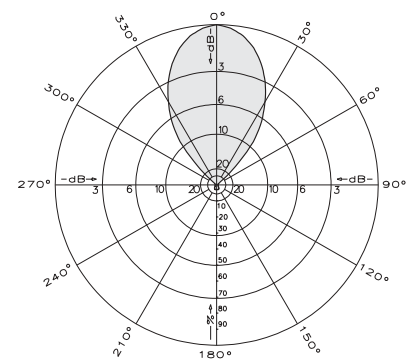
The CL-713 may be used stand alone or in arrays for higher gains, increased side-lobe suppression or custom azimuth patterns.



Specifications:

Frequency range	174–216 MHz (broadband)
Gain	9 dBd
Impedance	50 or 75 ohms
VSWR	< 1.5:1
Polarization	Horizontal
Front-to-back ratio	>25 dB
Maximum input power	250 watts (higher power rating optional)
Azimuth pattern	50 degrees (half-power)
Elevation pattern	62 degrees (half-power)
Connector	N female (50Ω or 75Ω)
Wind survival rating*	120 mph (200 kph)
Mounting	For masts of 2.375 inches (60 mm) OD.
CL-713/HCM	Center-mount
CL-713/HRM	Rear-mount

See reverse for order information.



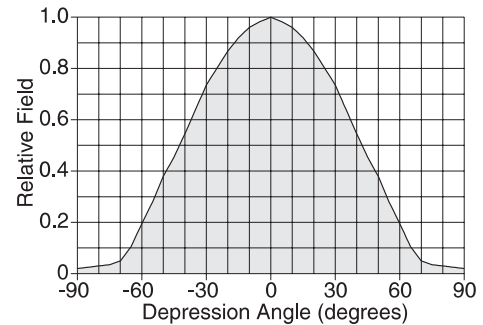
Azimuth pattern (E-plane)

Specifications: CL-713/HCM

Weight	28.5 lb (12.9 kg)
Dimensions	89.2 x 33.9 x 9.9 inches (2266 x 862 x 252 mm)
Equivalent flat plate area	2.76 ft ² (0.257 m ²)
Shipping dimensions	95 x 10 x 6 inches (2413 x 254 x 153 mm)
Shipping weight	42 lb (19.1 kg)

Specifications: CL-713/HRM

Weight	40 lb (18.2 kg)
Dimensions	104 x 38.5 x 33.9 inches (2642 x 978 x 862 mm)
Equivalent flat plate area	3.03 ft ² (0.282 m ²)
Shipping dimensions	112 x 14 x 6 inches (2845 x 356 x 153 mm)
Shipping weight	79 lb (35.9 kg)



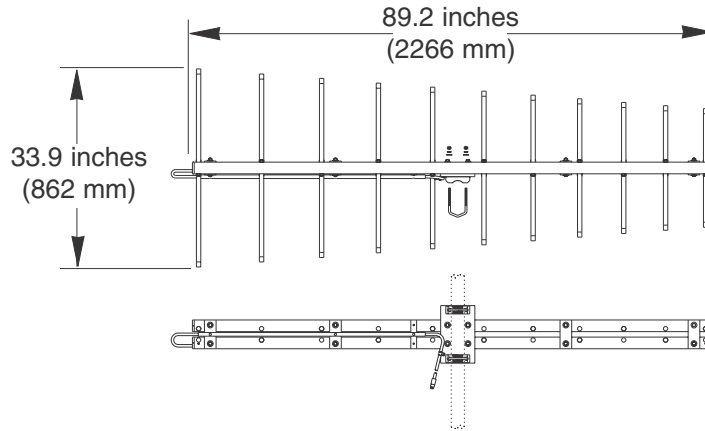
Elevation pattern (H-plane)



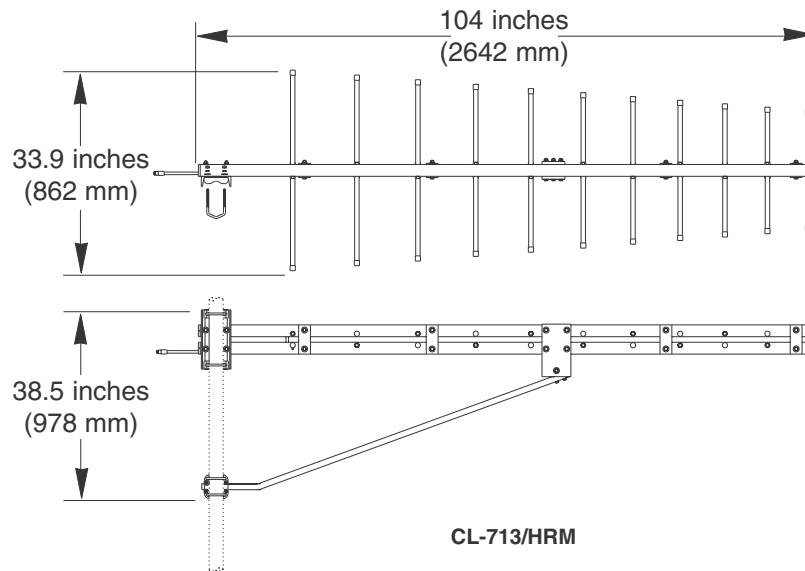
10280-C

* Mechanical design is based on environmental conditions as stipulated in EIA-222-F (June 1996) and/or ETS 300 019-1-4 which include the static mechanical load imposed on an antenna by wind at maximum velocity. See the Engineering Section of the catalog for further details.

CL-713
VHF-TV LOG-PERIODIC ANTENNA
9 dBd gain
174–216 MHz (Channels 7–13)



CL-713/HCM



CL-713/HRM

Order Information:

Model	Description
CL-713/HCM/50N	Antenna with 50 Ω N connector
CL-713/HCM/75N	Antenna with 75 Ω N connector
CL-713/HRM/50N	Antenna with 50 Ω N connector
CL-713/HRM/75N	Antenna with 75 Ω N connector

All specifications are subject to change without notice