

CL-46
VHF-TV LOG-PERIODIC ANTENNA
8.2 dBd gain
66–88 MHz (Channels 4–6)

The Kathrein Scala Division CL-46 is a ruggedly built, horizontally polarized log-periodic antenna, designed for professional VHF-TV transmit and receive applications.

Like all Kathrein Scala Division antennas, the CL-46 is made of the finest materials using state of the art electrical and mechanical designs, resulting in superior performance and long service life.

The CL-46 may be used stand alone or in arrays for higher gain, increased side-lobe suppression, or custom azimuth patterns.



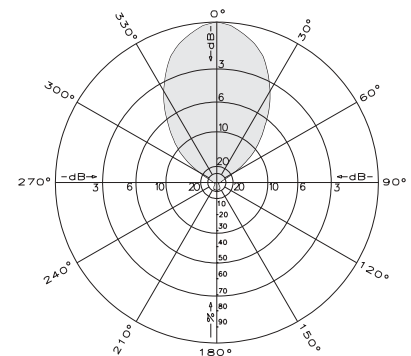
Specifications:

Frequency range	66–88 MHz (broadband)
Gain	8.2 dBd
Impedance	50 or 75 ohms
VSWR	< 1.5:1
Polarization	Horizontal
Front-to-back ratio	>25 dB
Maximum input power	250 watts, type "N" 75 ohm connector 500 watts, type "N" 50 ohm connector
Azimuth pattern	54 degrees (half-power)
Elevation pattern	76 degrees (half-power)
Connector	N female (50Ω or 75Ω)
Wind survival rating*	120 mph (200 kph)
Mounting	For masts of 2.375 inches (60 mm) OD.
CL-46/HCM	Center-mount
CL-46/HRM	Rear-mount

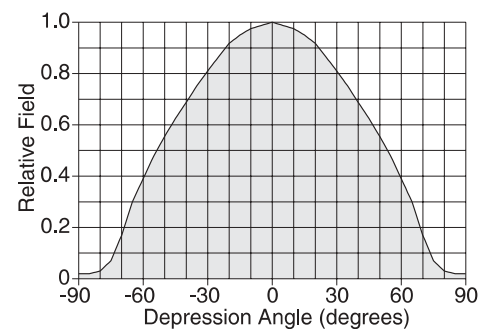
See reverse for order information.

* Mechanical design is based on environmental conditions as stipulated in EIA-222-F (June 1996) and/or ETS 300 019-1-4 which include the static mechanical load imposed on an antenna by wind at maximum velocity. See the Engineering Section of the catalog for further details.

	CL-46/HCM	CL-46/HRM
Weight	29 lb (13.2 kg)	35 lb (15.9 kg)
Dimensions	93 x 68.2 x 9.9 inches (2363 x 1733 x 252 mm)	93 x 88.2 x 37 inches (2363 x 2241 x 940 mm)
Equivalent flat plate area	4.5 ft ² (0.418 m ²)	5.23 ft ² (0.486 m ²)
Shipping dimensions	84 x 10 x 6 inches (2134 x 254 x 153 mm)	99 x 14 x 6 inches (2515 x 356 x 153 mm)
Shipping weight	36 lb (16.3 kg)	72 lb (32.7 kg)



Azimuth pattern (E-plane)



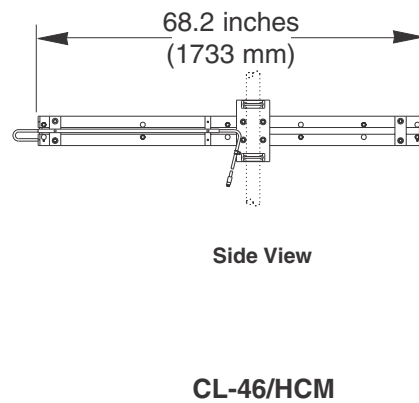
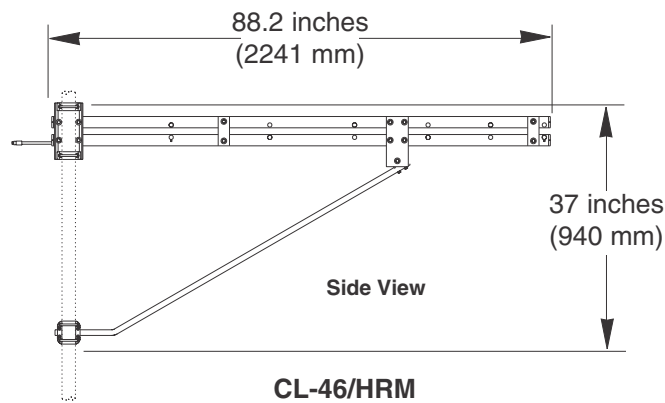
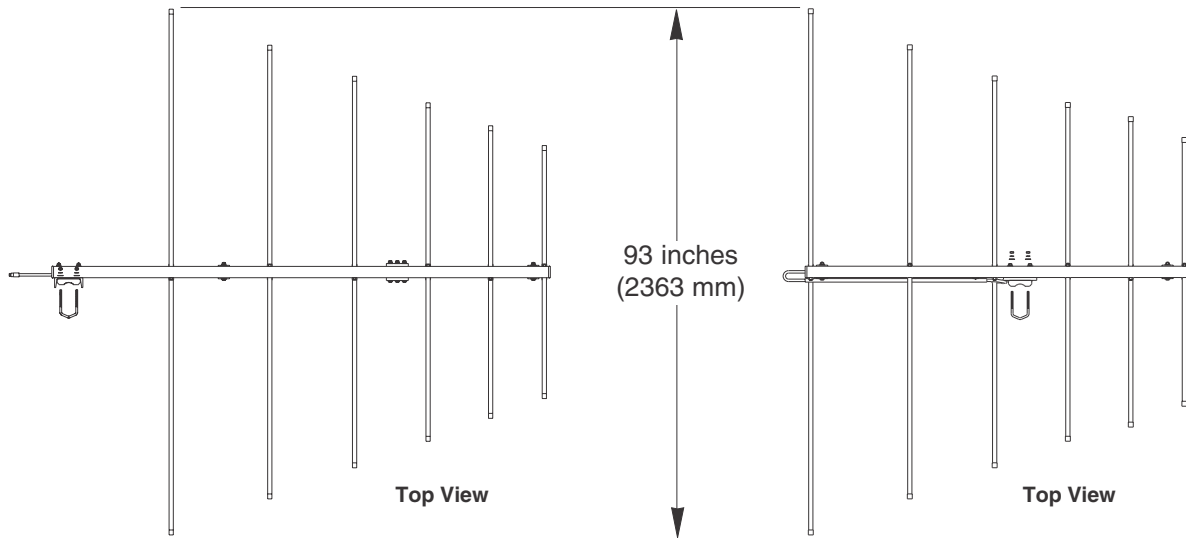
Elevation pattern (H-plane)

* Mechanical design is based on environmental conditions as stipulated in EIA-222-F (June 1996) and/or ETS 300 019-1-4 which include the static mechanical load imposed on an antenna by wind at maximum velocity. See the Engineering Section of the catalog for further details.



10279-C

CL-46
VHF-TV LOG-PERIODIC ANTENNA
8.2 dBd gain
66–88 MHz (Channels 4–6)



Order Information:

Model	Description
CL-46/HCM/50N	Antenna with 50 Ω N connector
CL-46/HCM/75N	Antenna with 75 Ω N connector
CL-46/HRM/50N	Antenna with 50 Ω N connector
CL-46/HRM/75N	Antenna with 75 Ω N connector

All specifications are subject to change without notice