

**CA5-150/HCM**  
**CA5-150/URM**  
YAGI ANTENNA  
9 dBd gain  
144–174 MHz

The Kathrein Scala Division CA5-150 five-element yagi antenna is intended for use in professional fixed-station applications in the 144–174 MHz band. It features:

Balanced driven element for superior performance in icing conditions.

Sealed balun, with no capacitors.

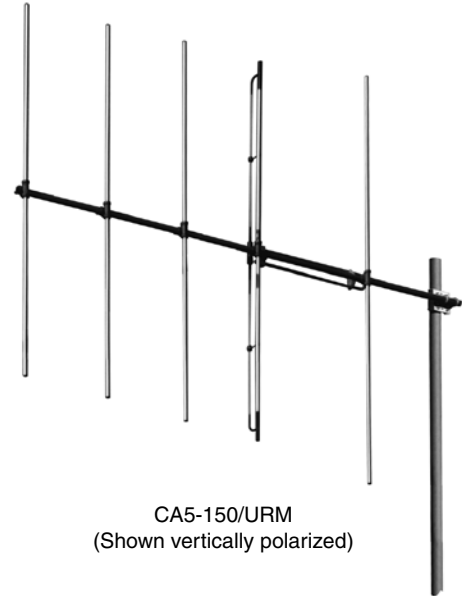
Heavy wall anodized aluminum pipe and tubing.

Heavy aluminum castings and stainless steel hardware.

Center or rear-mount versions available.

Dual and quad arrays available.

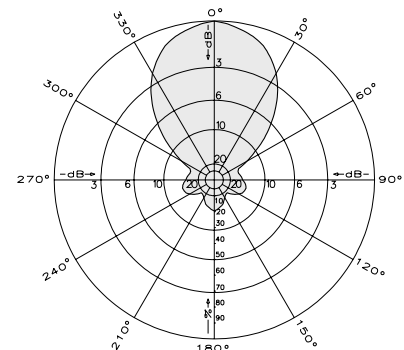
Entire antenna at DC ground potential.



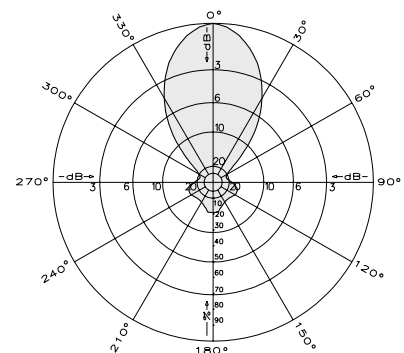
CA5-150/URM  
(Shown vertically polarized)

**Specifications:**

Frequency range	144–174 MHz (specify frequency)
Gain	9 dBd
Impedance	50 ohms
VSWR	<1.5:1
Polarization	Horizontal or vertical
Front-to-back ratio	>14 dB
Maximum input power	250 watts (at 50°C)
H-plane beamwidth	68 degrees (half-power)
E-plane beamwidth	50 degrees (half-power)
Connector	N female
Weight	10 lb (4.5 kg) (maximum)
Dimensions	42.4 x 52.8 inches (maximum) (1077 x 1341 mm)
Equivalent flat plate area	1.33 ft <sup>2</sup> (0.124 m <sup>2</sup> ) (maximum)
Wind survival rating*	120 mph (200 kph)
Shipping dimensions	70 x 6 x 5 inches (maximum) (1778 x 152 x 127 mm)
Shipping weight	13 lb (5.9 kg) (maximum)
Mounting	For masts of 2.375 inches (60 mm) OD.
<b>CA5-150/HCM</b>	Horizontal center-mount
<b>CA5-150/URM</b>	Horizontal or vertical rear-mount



H-plane  
Horizontal pattern – V-polarization  
Vertical pattern – H-polarization



E-plane  
Horizontal pattern – H-polarization  
Vertical pattern – V-polarization

\* Mechanical design is based on environmental conditions as stipulated in EIA-222-F (June 1996) and/or ETS 300 019-1-4 which include the static mechanical load imposed on an antenna by wind at maximum velocity. See the Engineering Section of the catalog for further details.

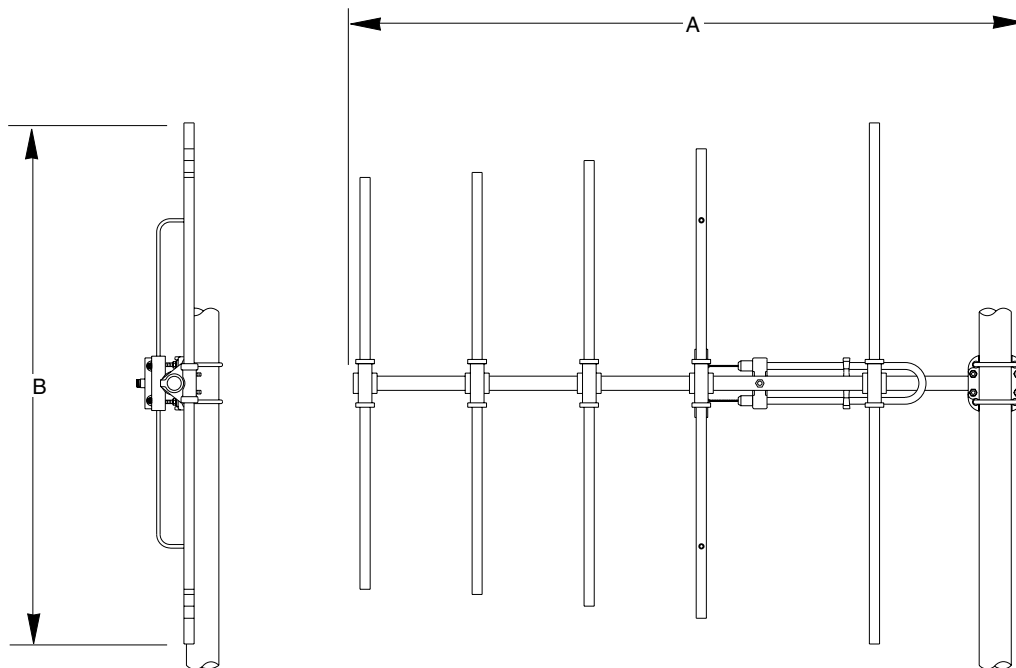
**Order Information:**

Contact Kathrein Scala Division Customer Service for detailed order information.



10240-B

**CA5-150/HCM**  
**CA5-150/URM**  
YAGI ANTENNA  
9 dBd gain  
144–174 MHz



CA5-150/URM  
(Shown vertically polarized)

Dimensions:			A	B
Frequency	144 MHz	URM	52.8 inches (1341 mm)	42.4 inches (1077 mm)
		HCM	42.8 inches (1087 mm)	42.4 inches (1077 mm)
	174 MHz	URM	45.9 inches (1166 mm)	35.1 inches (892 mm)
		HCM	35.9 inches (912 mm)	35.1 inches (892 mm)

**Order Information:**

Contact Kathrein Scala Division Customer Service for detailed order information.

All specifications are subject to change without notice. The latest specifications are available at [www.kathrein-scala.com](http://www.kathrein-scala.com).

Kathrein Inc., Scala Division Post Office Box 4580 Medford, OR 97501 (USA) Phone: (541) 779-6500 Fax: (541) 779-3991  
Email: [communications@kathrein.com](mailto:communications@kathrein.com) Internet: [www.kathrein-scala.com](http://www.kathrein-scala.com)