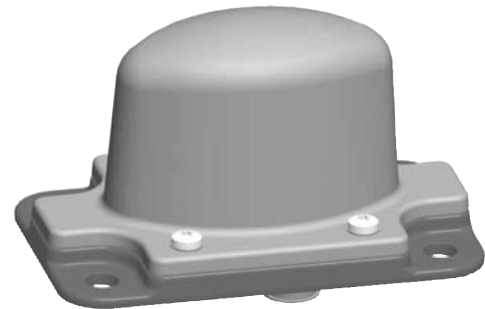


The Kathrein 870 10007 is a multiband antenna designed for on trains, buses, and other commercial vehicles in wireless communications systems. These antennas are supplied with an aluminum mounting flange for attachment to a conductive surface. The radiating element is copper and brass and is protected by a gray fiberglass radome. The antenna can be operated in all frequency ranges simultaneously. It is DC grounded to protect against lightning and high-tension lines. All fasteners are stainless steel. The antenna fulfills the requirements according to EN 50155.



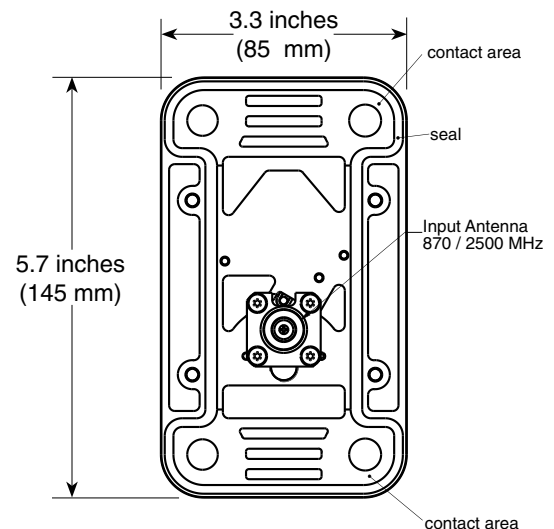
Specifications:

Frequency range	806–2700 MHz	
Gain	0 dB (re. to the quarter-wave antenna)	
Impedance	50 ohms	
VSWR	806–870 MHz	<2.0:1
	870–2550 MHz	<1.5:1
	2550–2700 MHz	<2.0:1
Polarization	Vertical	
Maximum input power	100 watts (at 50° C)	
Connector	N female	
Weight	1.1 lb (0.5 kg)	
Dimensions	5.7 x 3.3 inches (145 x 85 mm)	
Height	3.2 inches (81 mm)	
Shipping dimensions	6 x 4.9 x 3.6 inches (152 x 125 x 91 mm)	
Mounting	Mounts on a conductive surface with a minimum size of 19.7 x 19.7 inches (500 x 500 mm) by cap nut only on 4 existing M10 studs. Requires 1.3 inch (33 mm) hole for the connector.	

Order Information:

Model	Description
870 10007	Mobile antenna with N female connector

Mounting flange:

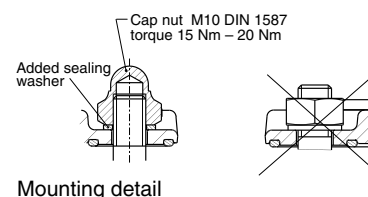


Mounting hole for the connector: 33 mm (max. 35 mm)

Note: Mounting surface must be free from paint for electrical contact.

Evenness of opposite surface 0.2 mm.

Use a cap nut plus the enclosed sealing washer.



10939-B
936.2893/b

All specifications are subject to change without notice. The latest specifications are available at www.kathrein-scala.com.