

Kathrein **RF Indoor Power Dividers** are designed for use in a number of professional applications including:

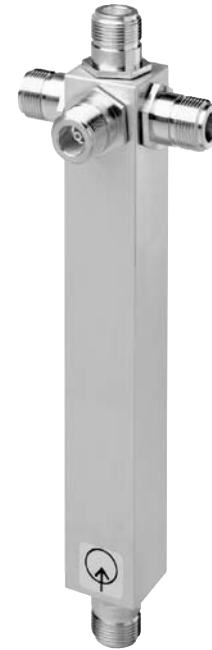
- Multi-element antenna arrays.
- Radiating cable systems.
- Cases where efficient broadband power splitting is required.

RF Indoor Power Dividers  
694–2700 MHz

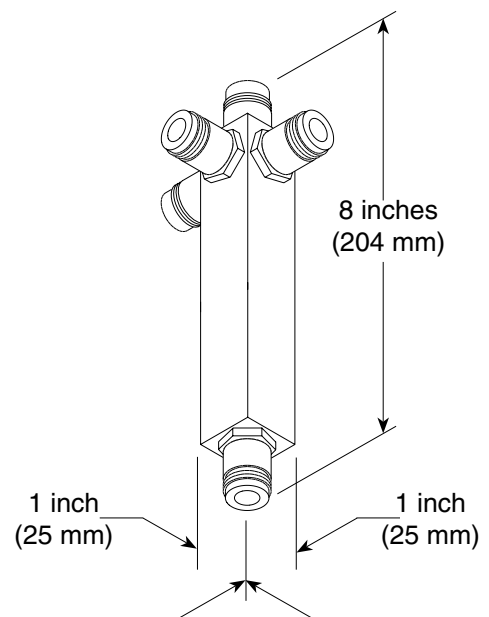
For indoor applications

**Specifications:**

Frequency range	694–2700 MHz		
Impedance	50 ohms		
Insertion loss	<0.05 dB		
Power split ratio			
860-10017	50%/50%		
860-10018	33.3%/33.3%/33.3%		
860-10019	25%/25%/25%/25%		
VSWR	694–864 MHz	790–2500 MHz	2500–2700 MHz
860-10017	<1.5:1	<1.25:1	<2.0:1
860-10018	<1.5:1	<1.25:1	<2.0:1
860-10019	<1.5:1	<1.3:1	<2.0:1
Intermodulation (2x20w)	IM3: <-150dBc		
Maximum input power	100 watts		
Connector	N female		
DC capability	DC transmission between all terminations (suitable for remote power supply systems)		
Environmental conditions	IP 52		
Weight	1.3 lb (0.6 kg)		
Dimensions	8 x 2.5 x 1.6 inches (maximum) (204 x 63 x 41 mm)		
Shipping dimensions	9.5 x 4.3 x 3.7 inches (maximum) (242 x 110 x 95 mm)		
Mounting	For indoor use only. Mounting hardware is not included. Kathrein-Scala recommends the use of nylon tie		



860-10019



**Order Information:**

Model	Description
860-10017	2-way power divider for indoor use only
860-10018	3-way power divider for indoor use only
860-10019	4-way power divider for indoor use only



10819-B  
936.2248/b

All specifications are subject to change without notice.  
The latest specifications are available at [www.kathrein-scala.com](http://www.kathrein-scala.com).