

Dualband X-pol Omni Antenna

Kathrein's dual band antennas are ready for 3G applications, covering all existing wireless bands as well as all spectrum under consideration for future systems, AMPS, PCS and 3G/UMTS.

- Wide band operation.
- Exceptional intermodulation characteristics.
- High strength fiberglass radome.
- Internal power dividers and diplexers allow the +45° polarization (upper and lower bands) to be combined on one connector and the -45° polarization (upper and lower bands) to be combined on a second connector .

General specifications:

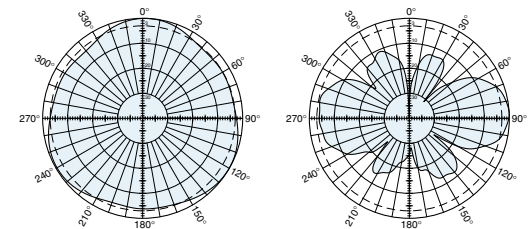
Frequency range	806–960 MHz 1710–2170 MHz
Gain	806–960 MHz 6 dBi (with 3–5 dB nulls, typical) 1710–2170 MHz 8 dBi (with 6–8 dB nulls, typical)
VSWR	<1.5:1
Impedance	50 ohms
Intermodulation (2x20w)	IM3: <-150 dBc
Polarization	+45° upper and lower band -45° upper and lower band
Connector	2 x 7-16 DIN female
Isolation	intrasystem >30 dB intersystem >40 dB (806–960 // 1710–2170 MHz)
Maximum input power	806–960 MHz 250 watts (at 50°C) 1710–2170 MHz 200 watts (at 50°C)
Radome color	Brown or gray
Weight	45 lb (20.4 kg)
Height	24 inches (609 mm)
Radome diameter	16 inches (407 mm)
Wind load	at 93 mph (150kph)
Side	32 lbf (138 N)
Wind survival rating*	100 mph (160 kph)
Shipping dimensions	32 x 20 x 19 inches (813 x 508 x 483 mm)
Shipping weight	52 lb (23.6 kg)
Mounting	Designed to be mounted on top of a utility pole using a custom mounting bracket supplied by the customer.

See reverse for order information.

* Mechanical design is based on environmental conditions as stipulated in TIA-222-G-2 (December 2009) and/or ETS 300 019-1-4 which include the static mechanical load imposed on an antenna by wind at maximum velocity. See the Engineering Section of the catalog for further details.



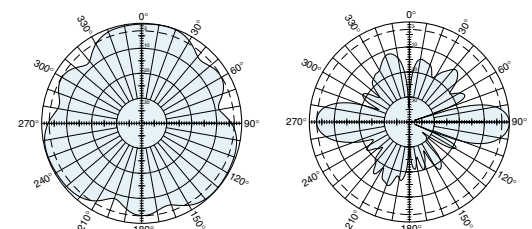
806–960 MHz



Horizontal pattern
±45°-polarization
880 MHz

Vertical pattern
±45°-polarization
880 MHz

1710–2170 MHz



Horizontal pattern
±45°-polarization
1945 MHz

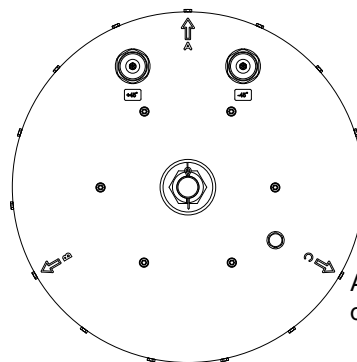
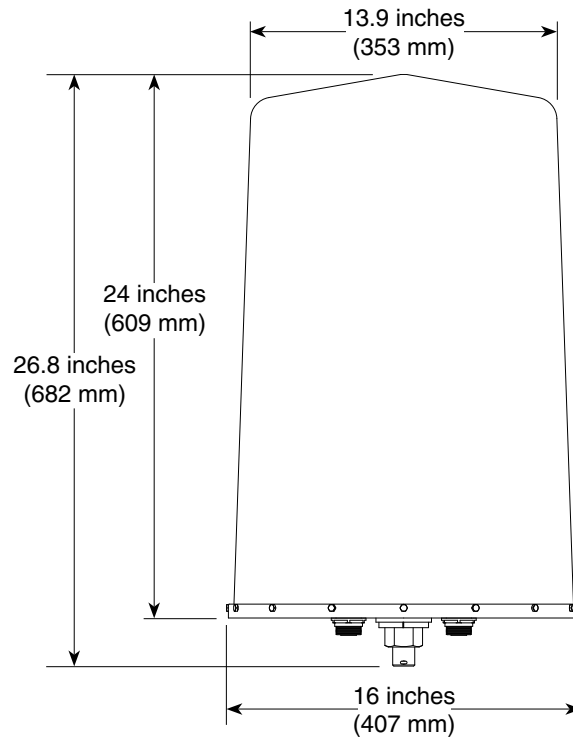
Vertical pattern
±45°-polarization
1945 MHz



10935-F



Dualband X-pol Omni Antenna



Arrows indicate the direction of maximum signal strength.

Order Information:

Model	Description
840 10500	Brown Dualband X-pol Omni Antenna
840 10501	Gray Dualband X-pol Omni Antenna

All specifications are subject to change without notice. The latest specifications are available at www.kathrein-scala.com.

Kathrein Inc., Scala Division Post Office Box 4580 Medford, OR 97501 (USA) Phone: (541) 779-6500 Fax: (541) 779-3991
Email: communications@kathrein.com Internet: www.kathrein-scala.com