

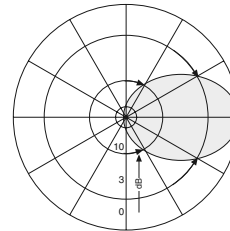
Kathrein wideband X-polarized antennas are designed for use in PCS, WCS, Wi-Fi, and WiMAX polarization diversity systems.

- X-polarized (+45° and -45°).
- UV resistant pulltruded radomes.
- Wideband vector dipole technology.
- DC Grounded metallic parts for impulse suppression.

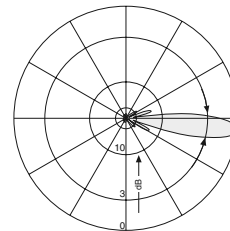
**General specifications:**

|                              |  |
|------------------------------|--|
| Frequency range              | 1710–2690 MHz  |
| VSWR                         | <1.5:1   |
| Impedance                    | 50 ohms  |
| Intermodulation (2x20w)      | IM3: <-150 dBc   |
| Polarization                 | +45° and -45°  |
| Connector                    | 2 x 7-16 DIN female  |
| Electrical downtilt          | 0°–12° (continuously adjustable)<br>(manual or remote control)   |
| Isolation, between ports     | >30 dB   |
| Maximum input power          | 250 watts (at 50°C) per input  |
| Weight                       | 11 lb (5 kg)   |
| Dimensions                   | 33.5 x 6.1 x 2.8 inches<br>(851 x 155 x 70 mm)   |
| Wind load<br>Front/Side/Rear | at 93 mph (150kph)<br>48 lbf / 14 lbf / 50 lbf<br>(210 N) / (60 N) / (220 N)   |
| Wind survival rating*        | 120 mph (200 kph)  |
| Shipping dimensions          | 45.1 x 6.8 x 3.6 inches<br>(1146 x 172 x 92 mm)  |
| Shipping weight              | 14.3 lb (6.5 kg)   |
| Mounting                     | Band clamps for 1.8 to 4.9 inch (45 to 115 mm) OD masts are included.<br>Fixed and tilt mount options are available for 2 to 4.6 inch (50 to 115 mm) OD masts. |

See reverse for order information.



Horizontal pattern  
±45°- polarization



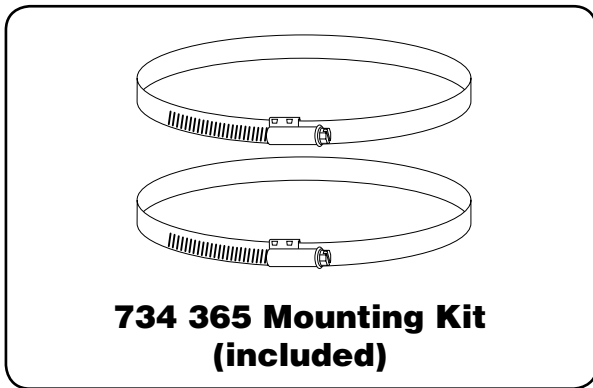
Vertical pattern  
±45°- polarization  
0°–12° electrical downtilt



| Specifications:                                 | 1710–1990 MHz      | 1920–2200 MHz     | 2200–2490 MHz     | 2490–2690 MHz     |
|---|--------------------|-------------------|-------------------|-------------------|
| Gain  | 15.5 dBi           | 16.3 dBi          | 16.7 dBi          | 16.7 dBi          |
| +45° and -45° polarization horizontal beamwidth | 67° (half-power)   | 64° (half-power)  | 60° (half-power)  | 60° (half-power)  |
| +45° and -45° polarization vertical beamwidth   | 10.8° (half-power) | 9.9° (half-power) | 8.8° (half-power) | 8.4° (half-power) |
| Front-to-back ratio (180°±30°)                  | >25 dB             | >25 dB            | >23 dB            | >23 dB            |
| Sidelobe suppression for:                       | 0° 6° 12° T        | 0° 6° 12° T       | 0° 6° 12° T       | 0° 6° 12° T       |
| First sidelobe above main beam                  | ≥12 13 15 dB       | ≥13 14 15 dB      | ≥13 14 16 dB      | ≥15 15 17 dB      |
| Cross polar ratio 0°                            | 25 dB (typical)    | 28 dB (typical)   | 28 dB (typical)   | 28 dB (typical)   |
| Sector ±60°                                     | >9 dB              | >8 dB             | >8 dB             | >11 dB            |

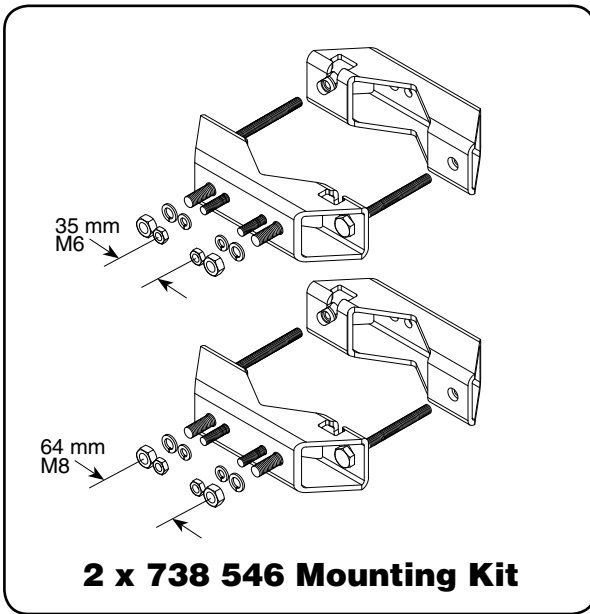
\* Mechanical design is based on environmental conditions as stipulated in TIA-222-G-2 (December 2009) and/or ETS 300 019-1-4 which include the static mechanical load imposed on an antenna by wind at maximum velocity. See the Engineering Section of the catalog for further details.





**Mounting Options:**

| Model                 | Description   |
|-----------------------|---|
| 734 365<br>(included) | Mounting Kit for 1.8 to 4.9 inch<br>(45 to 125 mm) OD mast. |

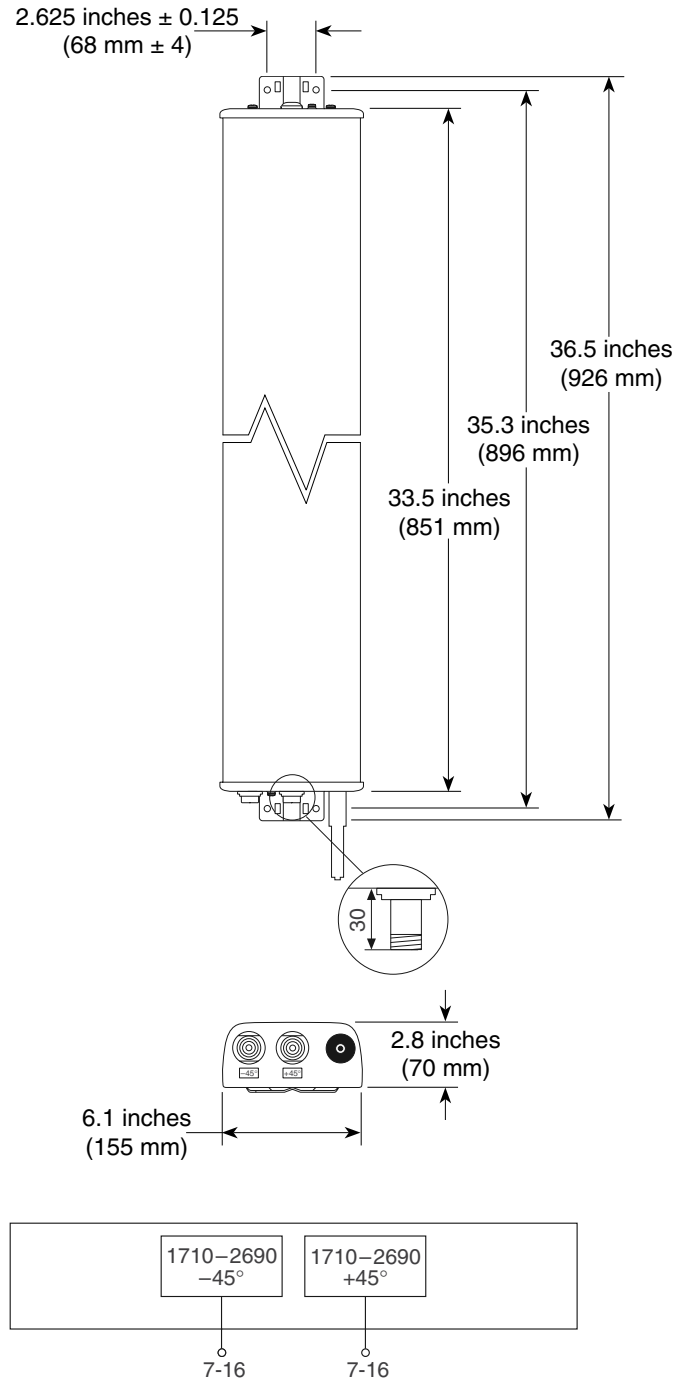


**Mounting Options:**

| Model       | Description  |
|-------------|--|
| 2 x 738 546 | Mounting Kit for 2 to 4.6 inch<br>(50 to 115 mm) OD mast.                          |
| 850 10013   | Tilt Mount Kit<br>0–25 degrees downtilt angle.                                     |
| 742 263     | Three-panel Sector Mounting Kit<br>(120 deg. ea.) for 3.5 inch<br>(89 mm) OD mast. |

**Order Information:**

| Model     | Description                          |
|-----------|--------------------------------------|
| 800 10681 | Antenna with 2 x 7-16 DIN connectors |



All specifications are subject to change without notice. The latest specifications are available at [www.kathrein-scala.com](http://www.kathrein-scala.com).