

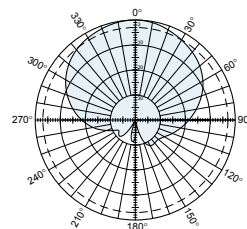
- X-polarized (+45° and -45°).
- UV resistant pulltruded radomes.
- Wideband vector dipole technology.
- DC Grounded metallic parts for impulse suppression.
- Downtilt options.

General specifications:

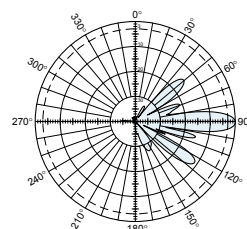
Frequency range	790–960 MHz
VSWR	<1.5:1
Front-to-back ratio	>27 dB (co-polar)
Impedance	50 ohms
Intermodulation (2x20w)	IM3: <-150 dBc
Polarization	+45° and -45°
Maximum input power	400 watts per input (at 50°C)
Connector	4 x 7-16 DIN female
Isolation	>30 dB
Tracking, avg.	1 dB
Squint	±2.5°
Weight	52.9 lb (24 kg) 57.3 lb (26 kg) clamps included
Dimensions	88.7 x 22.7 x 3.9 inches (2254 x 576 x 99 mm)
Wind load	at 93 mph (150kph)
Front/Side/Rear	396 lbf / 75 lbf / 459 lbf (1760 N) / (330 N) / (2040 N)
Mounting category	H (Heavy)
Wind survival rating*	120 mph (200 kph)
Shipping dimensions	98.4 x 23.6 x 5.9 inches (2500 x 600 x 150 mm)
Mounting	Fixed mounts for 2 to 4.6 inch (50 to 115 mm) OD masts are included and tilt options are available.

See reverse for order information.

* Mechanical design is based on environmental conditions as stipulated in TIA-222-G-2 (December 2009) and/or ETS 300 019-1-4 which include the static mechanical load imposed on an antenna by wind at maximum velocity. See the Engineering Section of the catalog for further details.



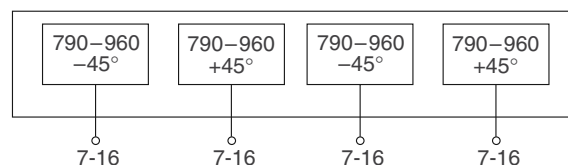
Horizontal pattern
±45°- polarization



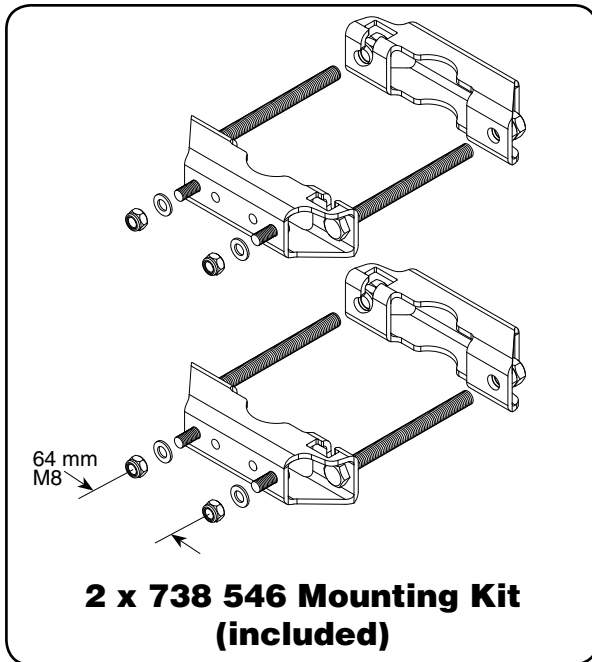
Vertical pattern
±45°- polarization
0°–8° electrical downtilt



Specifications:		790–862 MHz				824–894 MHz				880–960 MHz			
Average gain	tilt	0°	4°	8°	0°	4°	8°	0°	4°	8°	0°	4°	8°
	dBi	16.9	17.1	17	17	17.2	17.1	17.3	17.4	17.1	17.3	17.4	17.1
Horizontal beamwidth		66° (half-power)				65° (half-power)				64° (half-power)			
Vertical beamwidth		9.1° (half-power)				9° (half-power)				8.5° (half-power)			
Electrical downtilt continuously adjustable		0°–8°				0°–8°				0°–8°			
		(manual or optional remote control)											
Sidelobe suppression for first sidelobe above main beam, avg.	0°	3°	6°	8° T	0°	3°	6°	8° T	0°	3°	6°	8° T	
	18	18	16	15 dB	18	18	16	15 dB	18	18	16	15 dB	
Cross polar ratio													
Main direction	0°	25 dB (typical)				25 dB (typical)				25 dB (typical)			
Sector	±60°	>10 dB				>10 dB				>10 dB			

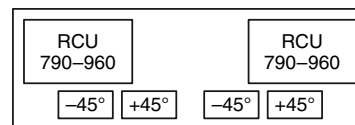
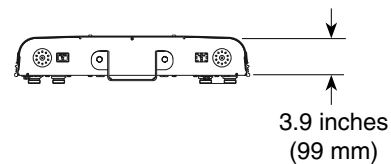
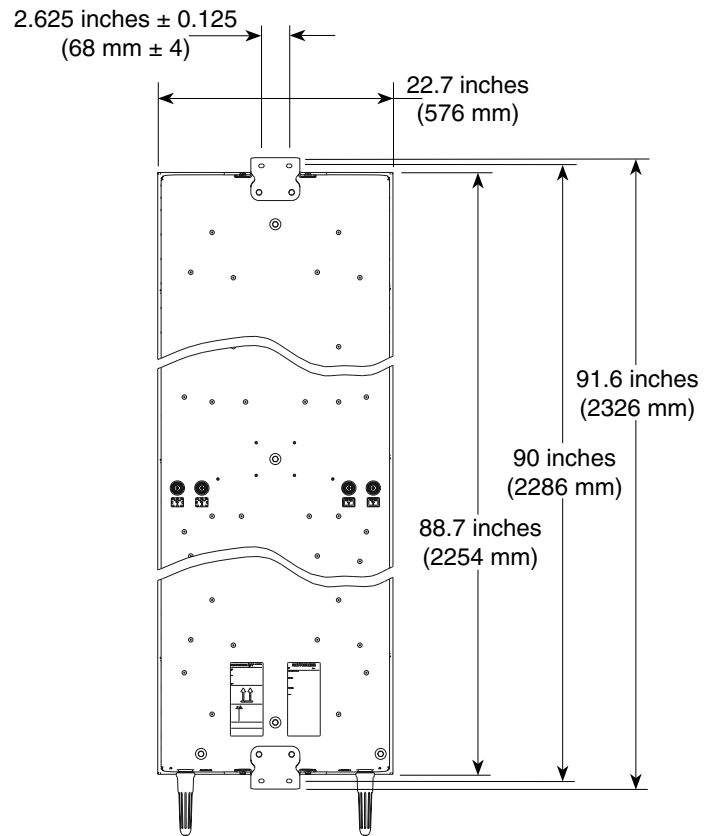


11342-A
936.3989/a



Mounting Options:

Model	Description
2 x 738 546 (included)	Mounting Kit for 2 to 4.6 inch (50 to 115 mm) OD mast. 4.4 lb (2 kg)
850 10007	Tilt Mount Kit 0–9 degrees downtilt angle.



Layout of interface

Order Information:

Model	Description
800 10647V01	Antenna with 7-16 DIN connectors

All specifications are subject to change without notice. The latest specifications are available at www.kathrein-scala.com.

Kathrein Inc., Scala Division Post Office Box 4580 Medford, OR 97501 (USA) Phone: (541) 779-6500 Fax: (541) 779-3991
Email: communications@kathrein.com Internet: www.kathrein-scala.com