

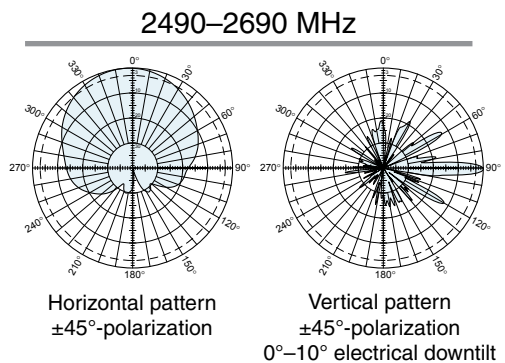
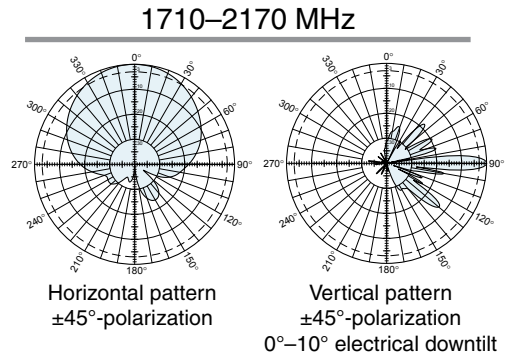


- X-polarized (+45° and -45°).
- UV resistant pulltruded radomes.
- Wideband vector dipole technology.
- DC Grounded metallic parts for impulse suppression.
- Enhanced sidelobe suppression.

**General specifications:**

Frequency range	1710–2170 MHz / 2490–2690 MHz
VSWR	<1.5:1
Impedance	50 ohms
Intermodulation (2x20w)	IM3: < -150 dBc
Polarization	+45° and -45°
Connector	4 x 7-16 DIN female
Isolation	>30 dB (intrasystem) >29 dB (intersystem)
Weight	22 lb (10 kg) 26.5 lb (12 kg) clamps included
Dimensions	55.5 x 6.1 x 3.5 inches (1410 x 155 x 89 mm)
Wind load	at 93 mph (150kph) 84 lbf / 33 lbf / 90 lbf (370 N) / (145 N) / (400 N)
Mounting category	M (Medium)
Wind survival rating*	120 mph (200 kph)
Shipping dimensions	69.5 x 7.2 x 4.8 inches (1765 x 182 x 122 mm)
Shipping weight	30.9 lb (14 kg)
Mounting	Fixed mounts for 2 to 4.6 inch (50 to 115 mm) OD masts are included and tilt options are available.

See reverse for order information.

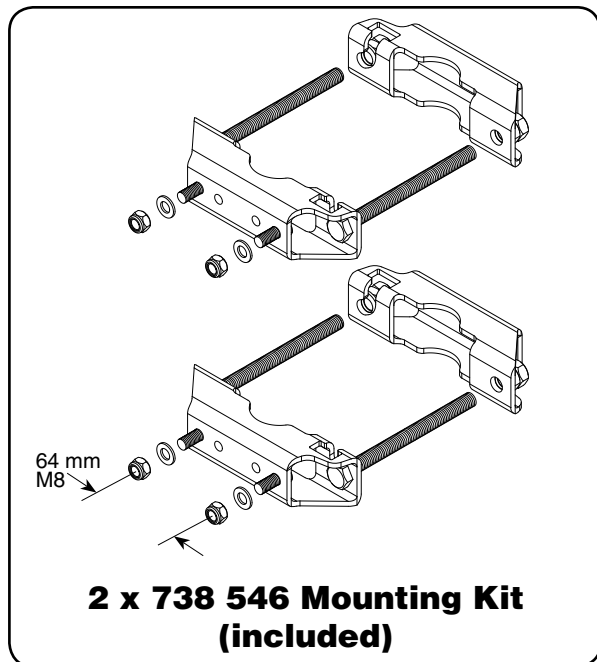


Specifications:	1710–1990 MHz	1920–2170 MHz	2490–2690 MHz
Gain	17.5 dBi	17.7 dBi	18 dBi
+45° and -45° polarization horizontal beamwidth	68° (half-power)	65° (half-power)	61° (half-power)
+45° and -45° polarization vertical beamwidth	6.7° (half-power)	6.3° (half-power)	5.4° (half-power)
Front-to-back ratio (180°±30°)	>25 dB	>25 dB	>25 dB
Electrical downtilt continuously adjustable	0–10 degrees	0–10 degrees	0–10 degrees
Sidelobe suppression for first sidelobe above main beam	0° 5° 10° T >17 17 16 dB	0° 5° 10° T >17 17 16 dB	0° 5° 10° T >17 17 16 dB
Cross polar ratio			
Main direction 0°	25 dB (typical)	25 dB (typical)	25 dB (typical)
Sector ±60°	>8 dB	>8 dB	>10 dB
Maximum input power (at 50°C)	200 watts per input 400 watts total		200 watts per input 400 watts total

\*Mechanical design is based on environmental conditions as stipulated in TIA-222-G-2 (December 2009) and/or ETS 300 019-1-4 which include the static mechanical load imposed on an antenna by wind at maximum velocity. See the Engineering Section of the catalog for further details.

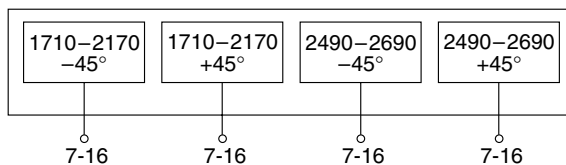
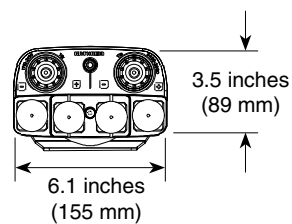
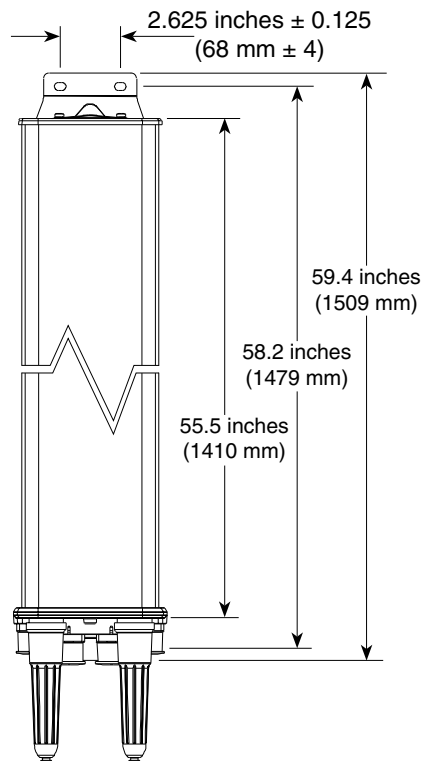


11311-B  
936.3803/a



**Mounting Options:**

Model	Description
2 x 738 546 (included)	Mounting Kit for 2 to 4.6 inch (50 to 115 mm) OD mast. 4.4 lb (2 kg)
850 10013	Tilt Mount Kit 0–15 degrees downtilt angle. 7.4 lb (3.7 kg)



**Order Information:**

Model	Description
800 10644	Antenna with 4 x 7-16 DIN connectors

All specifications are subject to change without notice. The latest specifications are available at [www.kathrein-scala.com](http://www.kathrein-scala.com).

Kathrein Inc., Scala Division Post Office Box 4580 Medford, OR 97501 (USA) Phone: (541) 779-6500 Fax: (541) 779-3991  
Email: [communications@kathrein.com](mailto:communications@kathrein.com) Internet: [www.kathrein-scala.com](http://www.kathrein-scala.com)