

- X-polarized (+45° and -45°).
- UV resistant fiberglass radomes.
- Wideband vector dipole technology.
- DC Grounded metallic parts for impulse suppression.

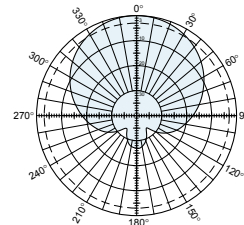


**General specifications:**

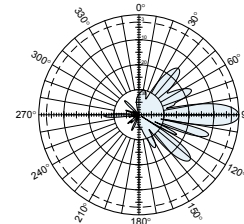
Frequency range	790–960 MHz
VSWR	<1.5:1
Impedance	50 ohms
Intermodulation (2x20w)	IM3: <-150 dBc
Polarization	+45° and -45°
Maximum input power	400 watts per input (at 50°C)
Connector	2 x 7-16 DIN female
Isolation	>30 dB
Tracking, average	0.5 dB
Squint	±1.5°
Weight	24.3 lb (11 kg) 28.7 lb (13.kg) clamps included
Dimensions	76.1 x 10.2 x 3.9 inches (1934 x 259 x 99 mm)
Wind load	at 93 mph (150kph)
Front/Side/Rear	153 lbf / 70 lbf / 203 lbf (680 N) / (310 N) / (900 N)
Mounting category	M (Medium)
Wind survival rating*	120 mph (200 kph)
Shipping dimensions	87.2 x 10.7 x 5.8 inches (2216 x 272 x 147 mm)
Mounting	Fixed mounts for 2 to 4.6 inch (50 to 115 mm) OD masts are included and tilt options are available.

See reverse for order information.

\* Mechanical design is based on environmental conditions as stipulated in EIA-222-G (April 2007) and/or ETS 300 019-1-4 which include the static mechanical load imposed on an antenna by wind at maximum velocity. See the Engineering Section of the catalog for further details.



Horizontal pattern  
±45°-polarization



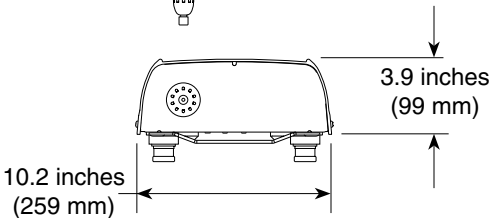
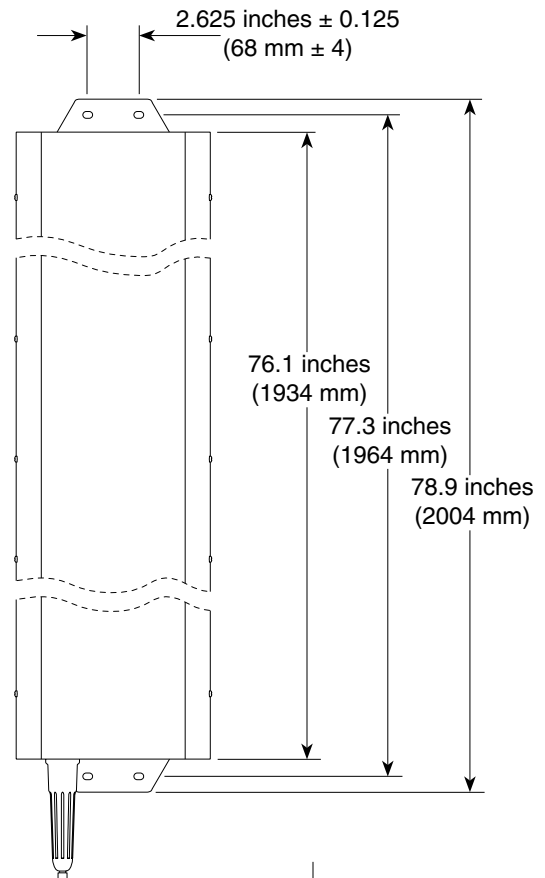
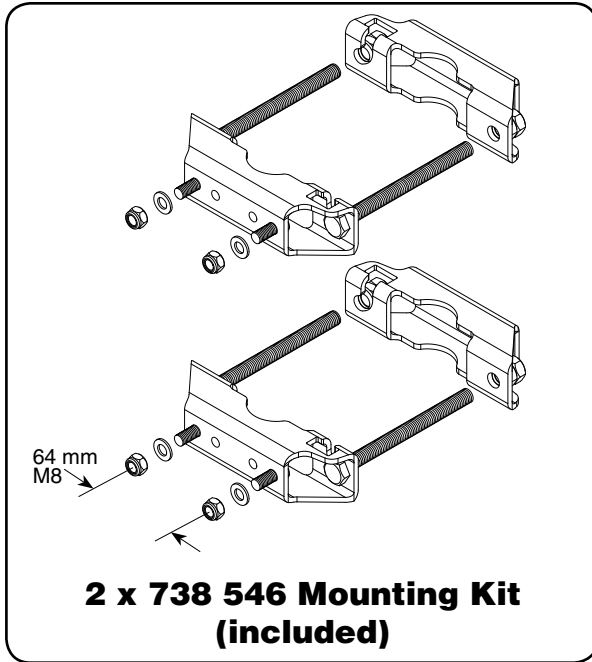
Vertical pattern  
±45°-polarization  
0°–10° electrical downtilt

Specifications:	790–862 MHz			824–894 MHz			880–960 MHz		
Average gain	0°	5°	10°	0°	5°	10°	0°	5°	10°
tilt	16.2	16.4	16.2	16.3	16.6	16.3	16.6	16.8	16.6
dB									
Front-to-back ratio	>24 dB (co-polar)			>25 dB (co-polar)			>25 dB (co-polar)		
Horizontal beamwidth	69° (half-power)			68° (half-power)			65° (half-power)		
Vertical beamwidth	10° (half-power)			9.9° (half-power)			9.7° (half-power)		
Electrical downtilt	0°–10°			0°–10°			0°–10°		
continuously adjustable	(manual or optional remote control)								
Sidelobe suppression for:	0°	5°	10° T	0°	5°	10° T	0°	5°	10° T
first sidelobe above main beam	18	18	18 dB	18	18	18 dB	18	18	18 dB
Cross polar ratio									
Main direction	0°	20 dB (typical)		0°	20 dB (typical)		0°	20 dB (typical)	
Sector	±60°	>10 dB		±60°	>10 dB		±60°	>10 dB	

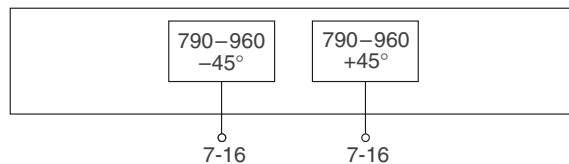
\* Mechanical design is based on environmental conditions as stipulated in TIA-222-G-2 (December 2009) and/or ETS 300 019-1-4 which include the static mechanical load imposed on an antenna by wind at maximum velocity. See the Engineering Section of the catalog for further details.



11341-A  
936.3816/c



Profile PC2



**Mounting Options:**

Model	Description
2 x 738 546 (included)	Mounting Kit for 2 to 4.6 inch (50 to 115 mm) OD mast. 4.4 lb (2 kg)
850 10013	Tilt Mount Kit 0-11 degrees downtilt angle.

**Order Information:**

Model	Description
800 10634V01	Antenna with 7-16 DIN connectors

All specifications are subject to change without notice. The latest specifications are available at [www.kathrein-scala.com](http://www.kathrein-scala.com).

Kathrein Inc., Scala Division Post Office Box 4580 Medford, OR 97501 (USA) Phone: (541) 779-6500 Fax: (541) 779-3991  
Email: [communications@kathrein.com](mailto:communications@kathrein.com) Internet: [www.kathrein-scala.com](http://www.kathrein-scala.com)