

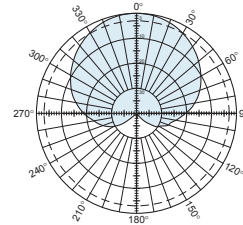
Kathrein wideband X-polarized antennas are designed for use in PCS, WCS, Wi-Fi, and WiMAX polarization diversity systems.

- X-polarized (+45° and -45°).
- UV resistant pulltruded radomes.
- Wideband vector dipole technology.
- DC Grounded metallic parts for impulse suppression.

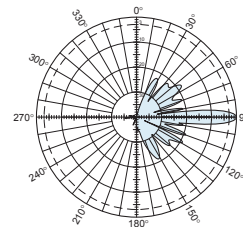
**General specifications:**

Frequency range	1710–2690 MHz
VSWR	<1.5:1
Impedance	50 ohms
Intermodulation (2x20w)	IM3: <-150dBc
Polarization	+45° and -45°
Connector	2 x 7-16 DIN female
Isolation	>30 dB
Maximum input power	400 watts per input
Tracking, avg.	1.0 dB
Weight	14.3 lb (6.5 kg) 18.7 lb (8.5 kg) clamps included
Dimensions	55.5 x 6.1 x 2.8 inches (1410 x 154 x 70 mm)
Wind load Front/Side/Rear	at 93 mph (150kph) 84 lbf / 31 lbf / 95 lbf (370 N) / (135 N) / (420 N)
Mounting category	M (Medium)
Wind survival rating*	120 mph (200 kph)
Shipping dimensions	66.3 x 6.8 x 3.6 inches (1685 x 172 x 92 mm)
Shipping weight	21.8 lb (9.9 kg)
Mounting	Fixed mounts for 2 to 4.6 inch (50 to 115 mm) OD masts are included and tilt options are available.

See reverse for order information.



Horizontal pattern  
±45°- polarization



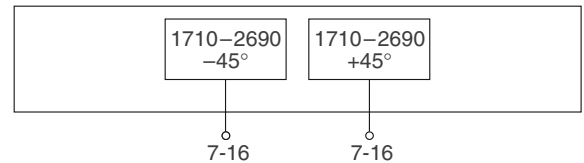
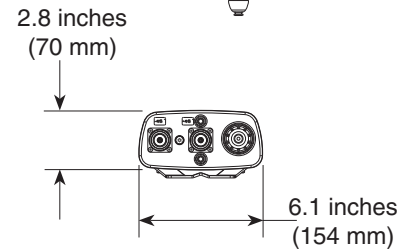
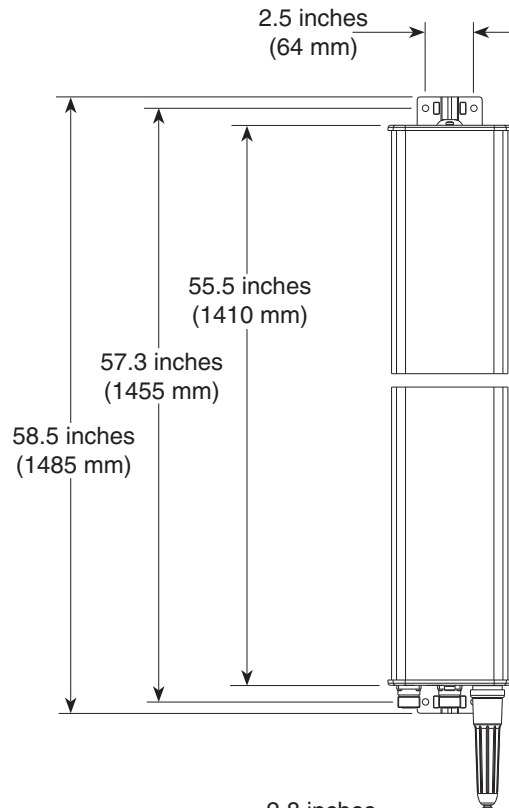
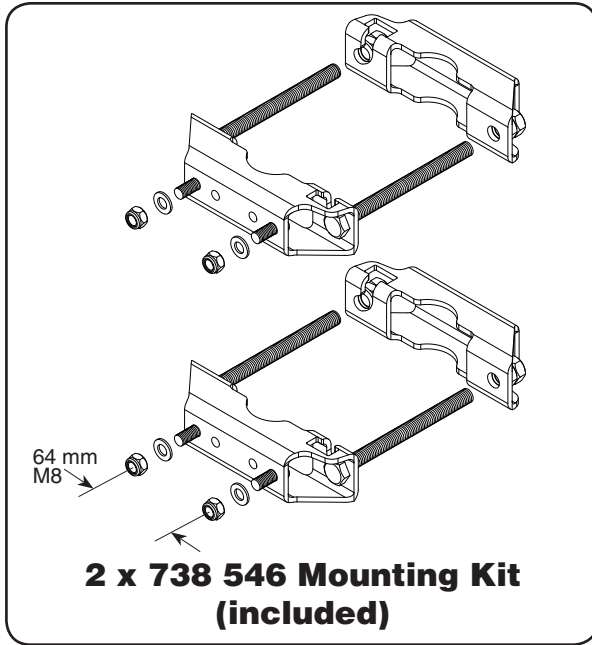
Vertical pattern  
±45°- polarization  
0–12° electrical downtilt



Specifications:	1710–1990 MHz			1920–2200 MHz			2200–2490 MHz			2490–2690 MHz		
Gain	0°	6°	12° T	0°	6°	12° T	0°	6°	12° T	0°	6°	12° T
	17.4	17.4	17.3 dBi	18.2	18	17.9 dBi	18.2	18.1	17.7 dBi	18.3	18	17.6 dBi
Front-to-back ratio (180°±30°)	>25 dB			>25 dB			>25 dB			>25 dB		
+45° and -45° polarization horizontal beamwidth	68° (half-power)			64° (half-power)			61° (half-power)			60° (half-power)		
+45° and -45° polarization vertical beamwidth	7.1° (half-power)			6.5° (half-power)			5.9° (half-power)			5.7° (half-power)		
Electrical downtilt continuously adjustable	0°–12° (manual or optional remote control)			0°–12°			0°–12°			0°–12°		
Sidelobe suppression	0°	6°	12° T	0°	6°	12° T	0°	6°	12°	0°	6°	12° T
first sidelobe above main beam	≥18	18	18 dB	≥18	18	18 dB	≥18	18	18 dB	≥18	18	18 dB
within 0°–20° sector above horizon	≥17	17	16 dB	≥17	17	16 dB	≥16	18	17 dB	≥17	17	17 dB
Cross polar ratio												
Main direction	0°	25 dB (typical)		25 dB (typical)	25 dB (typical)		25 dB (typical)	25 dB (typical)		25 dB (typical)	25 dB (typical)	
Sector	±60°	>10 dB		>10 dB	>10 dB		>10 dB	>10 dB		>10 dB	>10 dB	



\* Mechanical design is based on environmental conditions as stipulated in TIA-222-G-2 (December 2009) and/or ETS 300 019-1-4 which include the static mechanical load imposed on an antenna by wind at maximum velocity. See the Engineering Section of the catalog for further details.



**Mounting Options:**

Model	Description
2 x 738 546 (included)	Mounting Kit for 2 to 4.6 inch (50 to 115 mm) OD mast. 4.4 lb (2 kg)
850 10013	Tilt Mount Kit 0-15 degrees downtilt angle. 7.4 lb (3.7 kg)

**Order Information:**

Model	Description
800 10621V01	Antenna with 2 x 7-16 DIN connectors

All specifications are subject to change without notice. The latest specifications are available at [www.kathrein-scala.com](http://www.kathrein-scala.com).

Kathrein Inc., Scala Division Post Office Box 4580 Medford, OR 97501 (USA) Phone: (541) 779-6500 Fax: (541) 779-3991  
Email: [communications@kathrein.com](mailto:communications@kathrein.com) Internet: [www.kathrein-scala.com](http://www.kathrein-scala.com)