

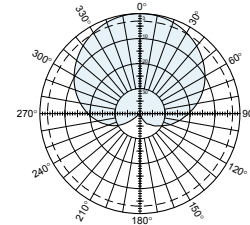
Kathrein wideband X-polarized antennas are designed for use in PCS and 3G/UMTS polarization diversity systems.

- X-polarized (+45° and -45°).
- UV resistant pulltruded radomes.
- Wideband vector dipole technology.
- DC Grounded metallic parts for impulse suppression.
- Enhanced sidelobe suppression.

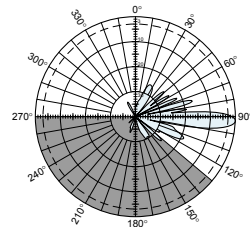
General specifications:

| | |
|---|---|
| Frequency range | 1710–2200 MHz |
| VSWR | <1.5:1 |
| Impedance | 50 ohms |
| Intermodulation (2x20w) | IM3: < -150 dBc |
| Polarization | +45° and -45° |
| Connector | 2 x 7-16 DIN female |
| Isolation | >30 dB |
| Maximum input power | 300 watts (at 50°C) per input |
| Electrical downtilt continuously adjustable | 2–10 degrees |
| Tracking | 0.5 dB |
| Squint | ±1.5° |
| Weight | 15.4 lb (7 kg) 19.8 lb (9 kg) clamps included |
| Dimensions | 51.7 x 6.1 x 2.8 inches (1314 x 155 x 70 mm) |
| Wind load Front/Side/Rear | at 93 mph (150kph) 75 lbf / 21 lbf / 77 lbf (330 N) / (90 N) / (340 N) |
| Mounting category | M (Medium) |
| Wind survival rating* | 120 mph (200 kph) |
| Shipping dimensions | 62.8 x 6.8 x 3.6 inches (1595 x 172 x 92 mm) |
| Shipping weight | 22 lb (10 kg) |
| Mounting | Fixed mounts for 2 to 4.6 inch (50 to 115 mm) OD masts are included and tilt options are available. |

See reverse for order information.



Horizontal pattern
±45°- polarization



Vertical pattern
±45°- polarization
2°–10° electrical downtilt

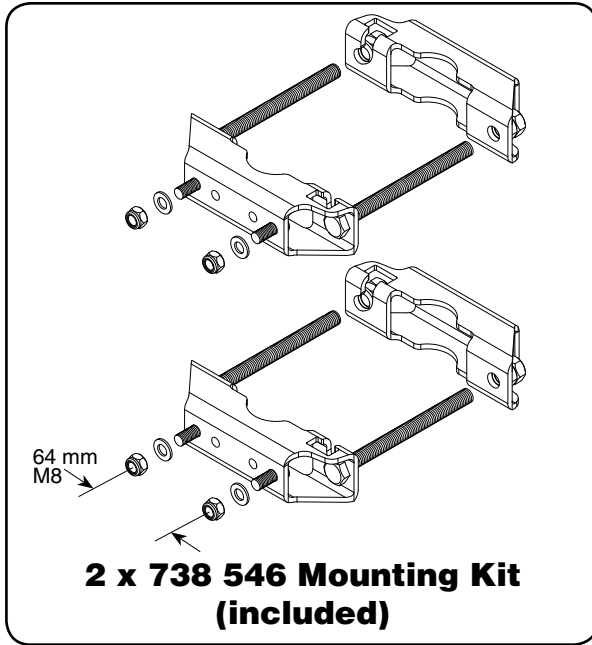


| Specifications: | 1710–1880 MHz | 1850–1990 MHz | 1920–2200 MHz |
|--|-------------------|-------------------|-------------------|
| Gain | 17.3 dBi | 17.7 dBi | 18 dBi |
| +45° and -45° polarization horizontal beamwidth | 66° (half-power) | 64° (half-power) | 62° (half-power) |
| +45° and -45° polarization vertical beamwidth | 7.9° (half-power) | 7.5° (half-power) | 7.2° (half-power) |
| Front-to-back ratio (180°±3°) | ≥25 dB | ≥25 dB | ≥25 dB |
| Sidelobe suppression for first sidelobe above main beam | >15 dB | >17 dB | >18 dB |
| Sidelobe suppression in the sector 40°–180° below horizon for Tx-Frequencies | >23 dB | >24 dB | >25 dB |
| Cross polar ratio | | | |
| Main direction 0° | 25 dB (typical) | 25 dB (typical) | 25 dB (typical) |
| Sector ±60° | ≥10 dB | ≥10 dB | ≥10 dB |

* Mechanical design is based on environmental conditions as stipulated in TIA-222-G-2 (December 2009) and/or ETS 300 019-1-4 which include the static mechanical load imposed on an antenna by wind at maximum velocity. See the Engineering Section of the catalog for further details.

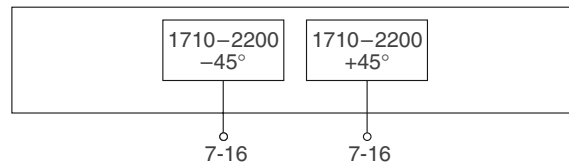
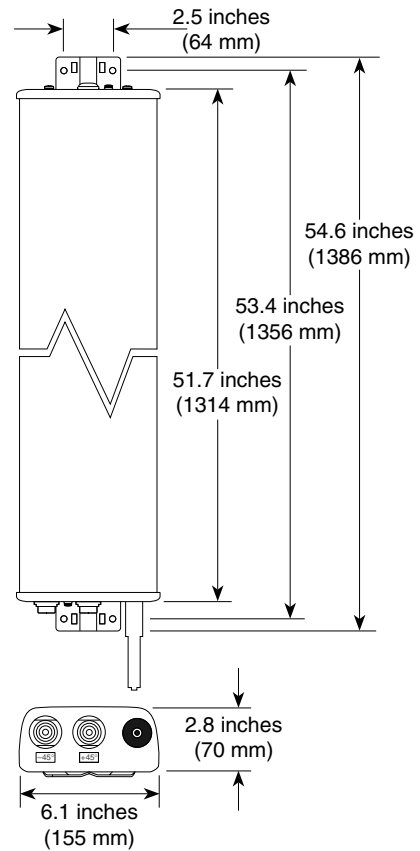


11259-A
936.3916/a



Mounting Options:

| Model | Description |
|------------------------|--|
| 2 x 738 546 (included) | Mounting Kit for 2 to 4.6 inch (50 to 115 mm) OD mast. 4.4 lb (2 kg) |
| 850 10013 | Tilt Mount Kit 0–15 degrees downtilt angle. 7.4 lb (3.7 kg) |



Order Information:

| Model | Description |
|--------------|--------------------------------------|
| 800 10614V01 | Antenna with 2 x 7-16 DIN connectors |

All specifications are subject to change without notice. The latest specifications are available at www.kathrein-scala.com.

Kathrein Inc., Scala Division Post Office Box 4580 Medford, OR 97501 (USA) Phone: (541) 779-6500 Fax: (541) 779-3991
Email: communications@kathrein.com Internet: www.kathrein-scala.com