

- XX-polarized (+45° and -45°).
- UV resistant pulltruded radomes.
- Wideband vector dipole technology.
- DC Grounded metallic parts for impulse suppression.
- Downtilt options.

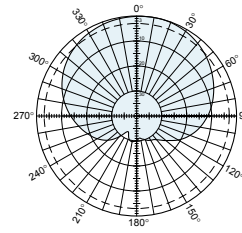
General specifications:

Frequency range	2 x 824–960 MHz
VSWR	<1.5:1
Front-to-back ratio	>25 dB
Impedance	50 ohms
Intermodulation (2x20w)	IM3: <-150 dBc
Polarization	2 x +45° and 2 x -45°
Maximum input power	500 watts per input (at 50°C)
Connector	4 x 7-16 DIN female
Electrical downtilt	0–8 degrees (continuously adjustable)
Tracking, average	0.5 dB
Squint	±4.5°
Weight	61.7 lbs (28 kg) 66.1 lbs (30 kg) clamps included
Dimensions	103.6 x 14.7 x 6.7 inches (2631 x 374 x 169 mm)
Wind load	at 93 mph (150kph)
Front/Side/Rear	273 lbf / 90 lbf / 347 lbf (1210 N) / (400 N) / (1540 N)
Mounting category	H (Heavy)
Wind survival rating*	120 mph (200 kph)
Shipping dimensions	114 x 15.4 x 8.76 inches (2896 x 392 x 222 mm)
Mounting	Fixed mounts for 2 to 4.6 inch (50 to 115 mm) OD masts are included and tilt options are available.

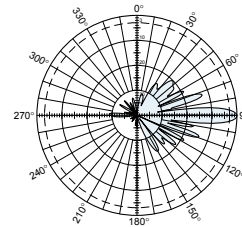
See reverse for order information.

* Mechanical design is based on environmental conditions as stipulated in TIA-222-G-2 (December 2009) and/or ETS 300 019-1-4 which include the static mechanical load imposed on an antenna by wind at maximum velocity. See the Engineering Section of the catalog for further details.

Specifications:	824–894 MHz	880–960 MHz
Gain at 0° tilt	4 x 16.5 dBi	4 x 17 dBi
+45° and -45° polarization horizontal beamwidth	88° (half-power)	85° (half-power)
+45° and -45° polarization vertical beamwidth	7.2° (half-power)	6.8° (half-power)
Sidelobe suppression for first sidelobe above main beam	0° 4° 8° T ≥15 15 15 dB	0° 4° 8° T ≥16 16 15 dB
Cross polar ratio		
Main direction	0°	15 dB (typical)
Sector	±60°	>10 dB
Isolation	>25 dB (typical)	>28 dB (typical)



Horizontal pattern
±45°- polarization

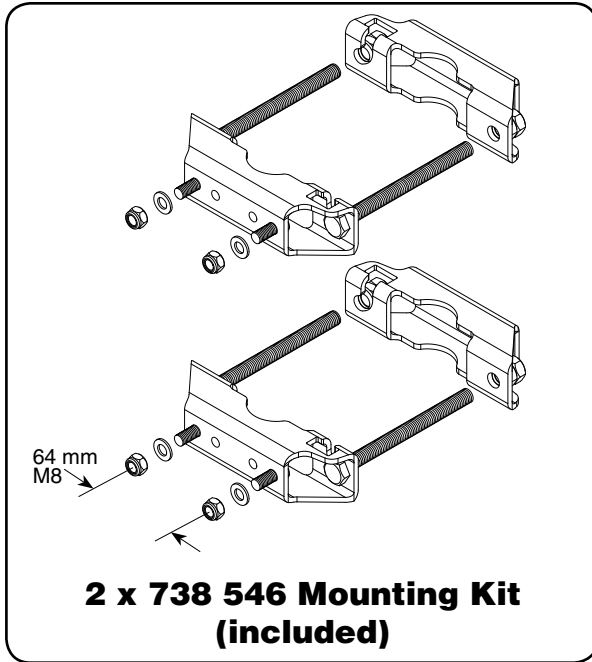


Vertical pattern
±45°- polarization
0°–8° electrical downtilt



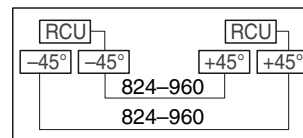
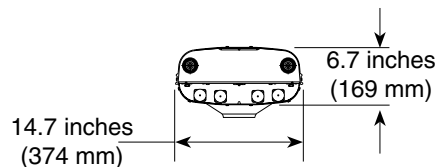
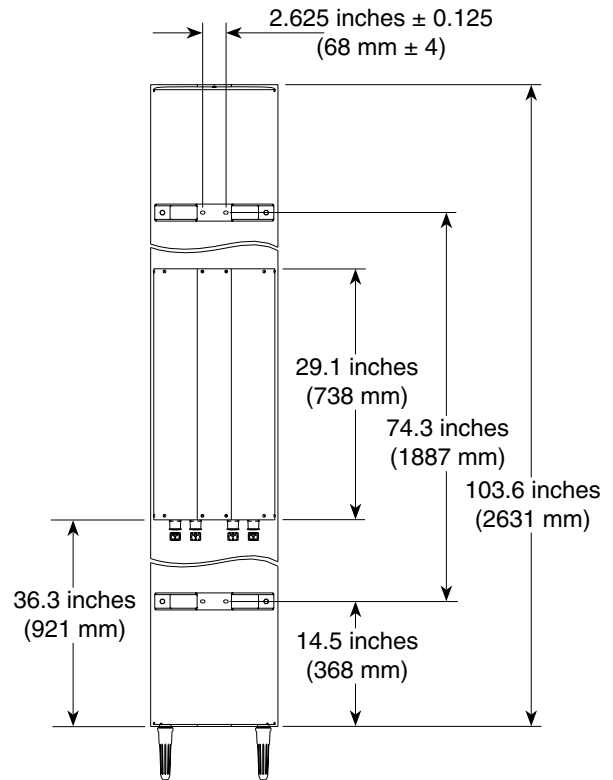
11340-A
936.4177





Mounting Options:

Model	Description
2 x 738 546 (included)	Mounting Kit for 2 to 4.6 inch (50 to 115 mm) OD mast. 4.4 lb (2 kg)
850 10007	Tilt Mount Kit 0–11 degrees downtilt angle.



Layout of interface

Order Information:

Model	Description
800 10518V01	Antenna with 0°–8° electrical downtilt

All specifications are subject to change without notice. The latest specifications are available at www.kathrein-scala.com.

Kathrein Inc., Scala Division Post Office Box 4580 Medford, OR 97501 (USA) Phone: (541) 779-6500 Fax: (541) 779-3991
Email: communications@kathrein.com Internet: www.kathrein-scala.com