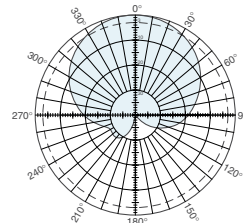
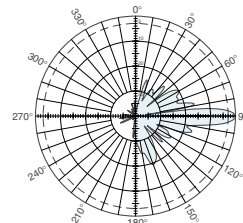


Kathrein panels for AWS feature:

- Heavy-duty construction using the highest quality materials: UV resistant pultruded fiberglass radomes, stainless steel fasteners and hardware, rigid aluminum reflectors, and low loss coaxial cable power divider harness, all contributing to long, trouble free service life.
- Superior electrical specifications including low VSWR, wide bandwidth, flat frequency response, and superb intermodulation performance.
- Precision continuously adjustable electrical downtilt controls, manual control as standard equipment, with remote control available as an option.
- Will accommodate future 3G / UMTS applications.



Horizontal pattern
±45°- polarization



Vertical pattern
±45°- polarization
0°–15° electrical downtilt

General specifications:

Frequency range	1710–2200 MHz
VSWR	<1.5:1
Impedance	50 ohms
Intermodulation (2x20w)	IM3: <-153 dBc
Polarization	+45° and -45°
Connector	2 x 7-16 DIN female
Isolation	>30 dB
Maximum input power	300 watts (at 50°C) per input
Weight	19.8 lb (9 kg)
Dimensions	54.1 x 6.1 x 2.7 inches (1374 x 155 x 69 mm)
Wind load	at 93 mph (150kph)
Front/Side/Rear	84 lbf / 25 lbf / 99 lbf (370 N) / (110 N) / (440 N)
Wind survival rating*	120 mph (200 kph)
Shipping dimensions	65.2 x 6.8 x 3.6 inches (1655 x 172 x 92 mm)
Shipping weight	22 lb (10 kg)
Mounting	Fixed and tilt mount options are available for 2 to 4.6 inch (50 to 115 mm) OD masts.

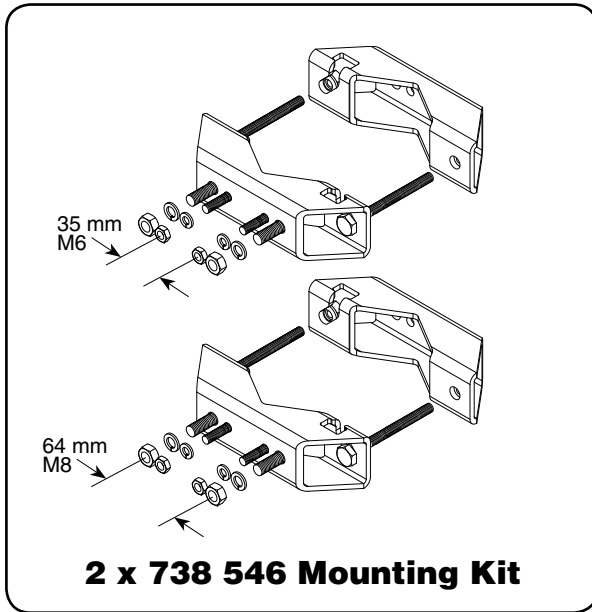
See reverse for order information.

Specifications:	1710–1880 MHz	1850–1990 MHz	1920–2170 MHz	2000–2200 MHz
Gain	17.5 dBi	17.6 dBi	17.7 dBi	17.8 dBi
Front-to-back ratio (180° ±30°)	≥28 dB (co-polar)	≥28 dB (co-polar)	≥28 dB (co-polar)	≥28 dB (co-polar)
Horizontal beamwidth	68° (half-power)	66° (half-power)	64° (half-power)	62° (half-power)
Vertical beamwidth	7.9° (half-power)	7.5° (half-power)	7.2° (half-power)	7° (half-power)
Electrical downtilt continuously adjustable	0°–15° (manual or optional remote control)	0°–15°	0°–15°	0°–15°
Sidelobe suppression	0° 5° 10° 15° T	0° 5° 10° 15° T	0° 5° 10° 15° T	0° 5° 10° 15° T
first sidelobe above main beam	≥17 20 18 17 dB	≥16 20 18 17 dB	≥16 20 18 17 dB	≥15 20 18 15 dB
within 0°–20° sector above horizon	≥16 18 18 16 dB	≥16 18 17 16 dB	≥15 18 17 16 dB	≥15 16 16 15 dB
Cross polar ratio				
Main direction	0°	0°	0°	0°
Sector	±60°	±60°	±60°	±60°
	22 dB (typical)	22 dB (typical)	24 dB (typical)	26 dB (typical)
	≥10 dB	≥10 dB	≥10 dB	≥10 dB
Null-fill at 0° tilt	21 dB	20 dB	19 dB	18 dB

*Mechanical design is based on environmental conditions as stipulated in TIA-222-G-2 (December 2009) and/or ETS 300 019-1-4 which include the static mechanical load imposed on an antenna by wind at maximum velocity. See the Engineering Section of the catalog for further details.

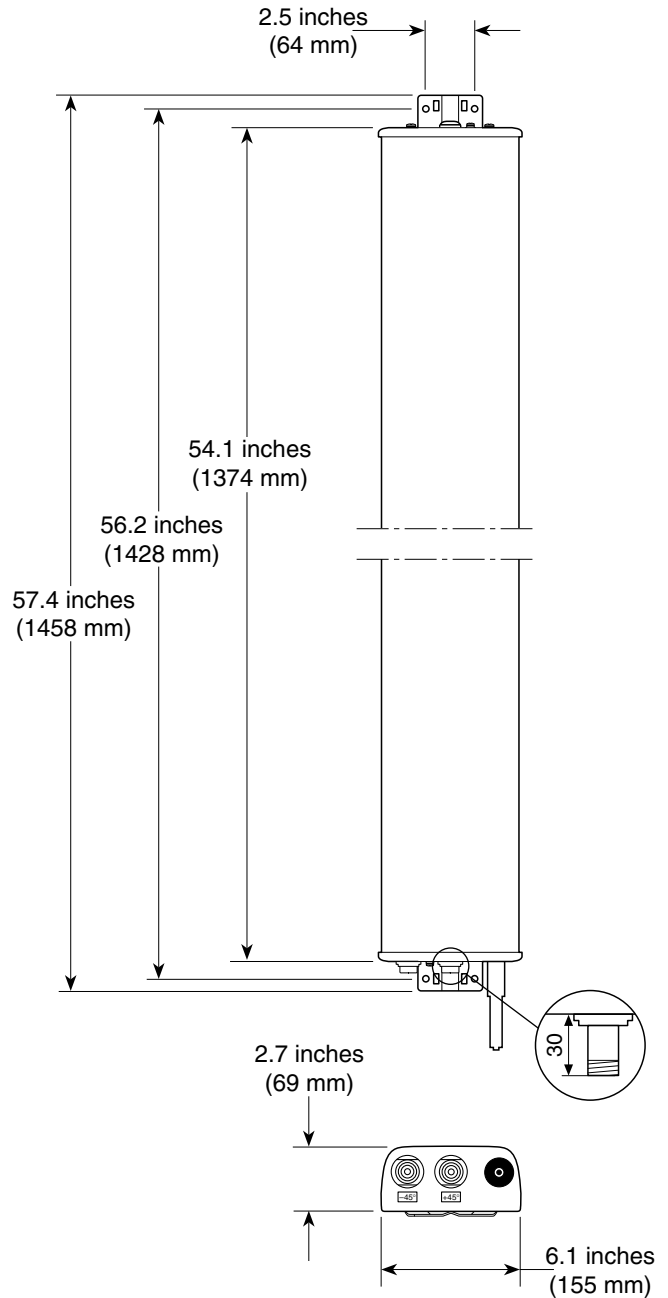


11019-C
936.3148/c



Mounting Options:

Model	Description
2 x 738 546	Mounting Kit for 2 to 4.6 inch (50 to 115 mm) OD mast.
850 10013	Tilt Mount Kit 0–15 degrees downtilt angle.



Order Information:

Model	Description
800 10504	Antenna with 7-16 DIN connectors 0°–15° adjustable electrical downtilt

All specifications are subject to change without notice. The latest specifications are available at www.kathrein-scala.com.

Kathrein Inc., Scala Division Post Office Box 4580 Medford, OR 97501 (USA) Phone: (541) 779-6500 Fax: (541) 779-3991
Email: communications@kathrein.com Internet: www.kathrein-scala.com