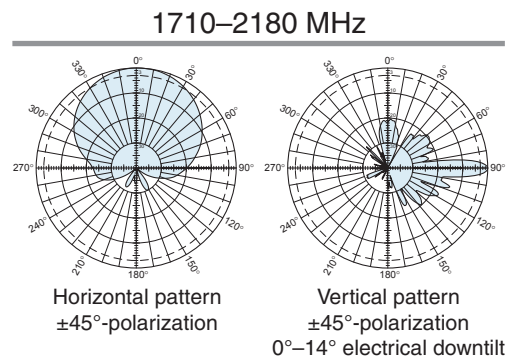
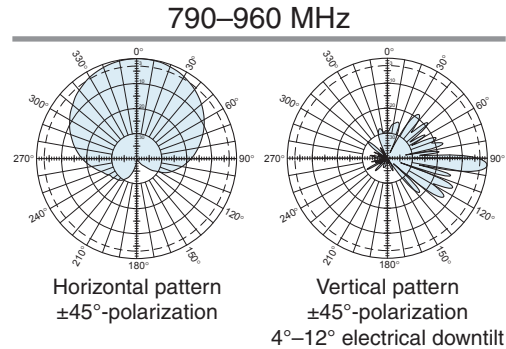


- Wide band operation.
- Exceptional intermodulation characteristics.
- Remote control ready.
- AISG compatible.
- High strength pultruded fiberglass radome.

General specifications:

Frequency range	790–960 MHz 1710–2180 MHz
Impedance	50 ohms
VSWR	<1.5:1
Intermodulation (2x20w)	IM3: <-153 dBc
Polarization	+45° and -45°
Connector	6 x 7-16 DIN female (long neck)
Isolation	intrasystem >30 dB intersystem >36 dB (790–960 // 1710–2180 MHz) intersystem >36 dB (1710–2180 // 1710–2180 MHz)
Weight	75 lb (34 kg) 79.4 lb (36 kg) clamps included
Dimensions	106.1 x 10.3 x 5.9 inches (2694 x 262 x 149 mm)
Wind load	at 93 mph (150kph) Front/Side/Rear 196 lbf / 117 lbf / 297 lbf (870 N / 520 N / 1320 N)
Mounting category	H (Heavy)
Wind survival rating*	120 mph (200 kph)
Shipping dimensions	119.2 x 12 x 8 inches (3027 x 304 x 204 mm)
Shipping weight	86 lb (39 kg)
Mounting	Fixed mounts for 2 to 4.6 inch (50 to 115 mm) OD masts are included and tilt options are available.

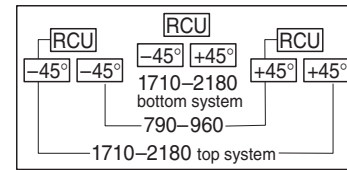
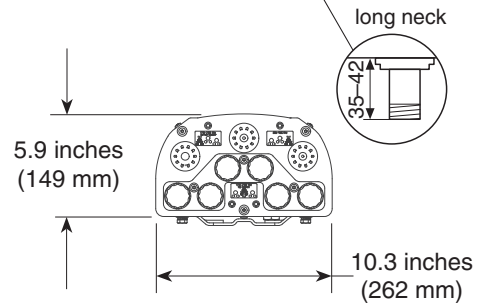
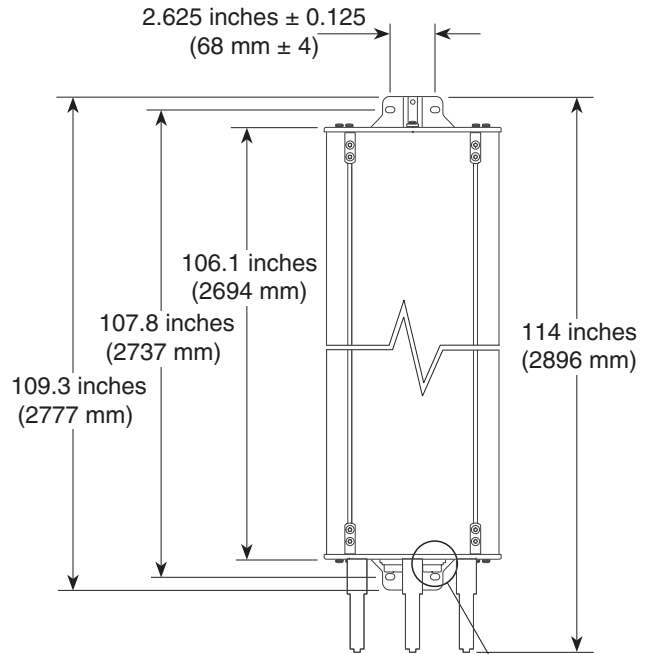
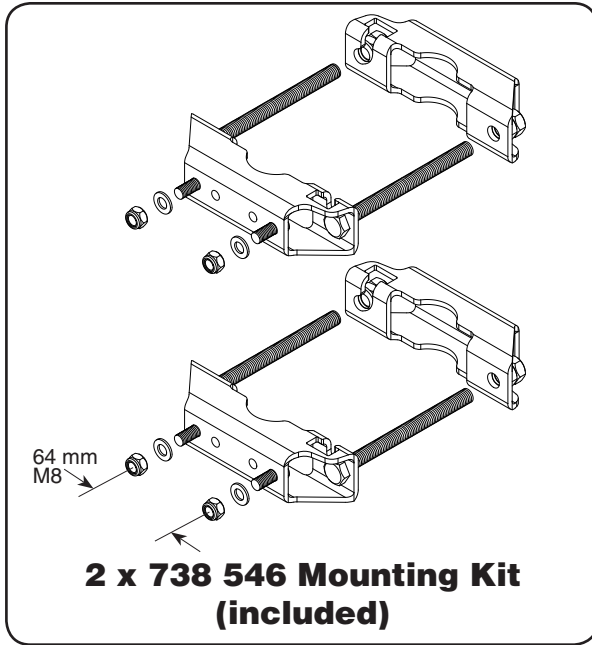
See reverse for order information.



Specifications:	790–866 MHz	824–894 MHz	880–960 MHz	1710–1880 MHz	1850–1990 MHz	1920–2180 MHz
Gain (average) (dbi)	4° 8° 12° T 16.6 16.5 16.3	4° 8° 12° T 17 16.9 16.5	4° 8° 12° T 17.2 17 16.7	0° 7° 14° T bottom 16.1 16.3 16 top 16.1 16.1 15.8	0° 7° 14° T 16.7 16.8 16.3 16.7 16.5 16.2	0° 7° 14° T 17 17 16.6 17 16.9 16.4
Front-to-back ratio (180°±30°)	>25 dB	>25 dB	>25 dB	>25 dB	>25 dB	>25 dB
Maximum input power per input (at 50°C)	400 watts	400 watts	400 watts	250 watts	250 watts	250 watts
+45° and -45° polarization horizontal beamwidth	68° (half-power)	67° (half-power)	66° (half-power)	65° (half-power)	63° (half-power)	60° (half-power)
vertical beamwidth	7.5° (half-power)	7.4° (half-power)	7.2° (half-power)	7.8° (half-power)	7.6° (half-power)	7.2° (half-power)
Electrical downtilt continuously adjustable	4°–12° (manual or optional remote control)	4°–12°	4°–12°	0°–14°	0°–14°	0°–14°
Sidelobe suppression for first sidelobe above main beam	4° 8° 12° T 19 17 16 dB	4° 8° 12° T 19 18 18 dB	4° 8° 12° T 19 18 18 dB	0° 7° 14° T 18 17 15 dB	0° 7° 14° T 18 17 15 dB	0° 7° 14° T 18 17 15 dB
within 0°–20° sector above horizon	15 15 14 dB	16 15 14 dB	16 15 14 dB	18 17 15 dB	17 17 15 dB	15 14 14 dB
Cross polar ratio						
Main direction	0° 23 dB (typical)	24 dB (typical)	25 dB (typical)	18 dB (typical)	18 dB (typical)	19 dB (typical)
Sector	±60° >10 dB	>10 dB	>10 dB	>10 dB	>10 dB	>10 dB



* Mechanical design is based on environmental conditions as stipulated in TIA-222-G-2 (December 2009) and/or ETS 300 019-1-4 which include the static mechanical load imposed on an antenna by wind at maximum velocity. See the Engineering Section of the catalog for further details.



Layout of interface

Mounting Options:

Model	Description
2 x 738 546 (included)	Mounting Kit for 2 to 4.6 inch (50 to 115 mm) OD mast. 4.4 lb (28 kg)
850 10007	Tilt Mount Kit 0-8 degrees downtilt angle.

Order Information:

Model	Description
800 10492V01	Antenna with 7-16 DIN connectors

All specifications are subject to change without notice. The latest specifications are available at www.kathrein-scala.com.

Kathrein Inc., Scala Division Post Office Box 4580 Medford, OR 97501 (USA) Phone: (541) 779-6500 Fax: (541) 779-3991
Email: communications@kathrein.com Internet: www.kathrein-scala.com