

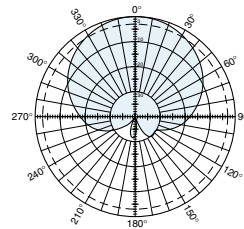
Kathrein wideband X-polarized antennas are designed for use in PCS, WCS, Wi-Fi, and WiMAX polarization diversity systems.

- X-polarized (+45° and -45°).
- UV resistant pulltruded radomes.
- Wideband vector dipole technology.
- DC Grounded metallic parts for impulse suppression.

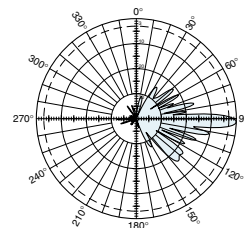
**General specifications:**

|                            |   |
|----------------------------|---|
| Frequency range            | 1710–2690 MHz   |
| VSWR                       | <1.5:1  |
| Impedance                  | 50 ohms   |
| Intermodulation (2x20w)    | IM3: <-150dBc   |
| Polarization               | +45° and -45°   |
| Electrical downtilt        | 2 degrees   |
| Connector                  | 2 x 7-16 DIN female   |
| Isolation                  | >30 dB  |
| Maximum input power        | 250 watts per input   |
| Weight                     | 14.1 lb (6.4 kg)  |
| Dimensions                 | 51.3 x 6.1 x 2.7 inches<br>(1302 x 155 x 69 mm)                                       |
| Equivalent flat plate area | 2.98 ft <sup>2</sup> (0.277 m <sup>2</sup> )  |
| Wind survival rating*      | 120 mph (200 kph)   |
| Shipping dimensions        | 62 x 6.8 x 3.6 inches<br>(1574 x 172 x 92 mm)   |
| Shipping weight            | 16.3 lb (7.4 kg)  |
| Mounting                   | Fixed and tilt mount options are available for 2 to 4.6 inch (50 to 115 mm) OD masts. |

*See reverse for order information.*



Horizontal pattern  
±45°- polarization



Vertical pattern  
±45°- polarization  
2° electrical downtilt



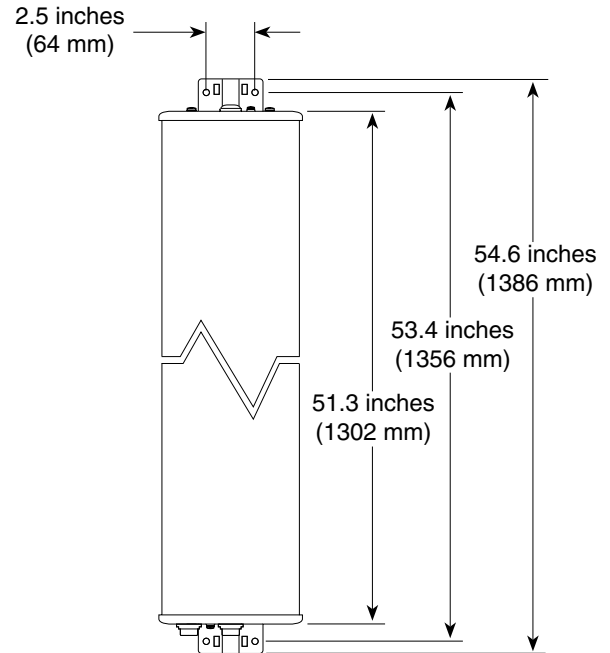
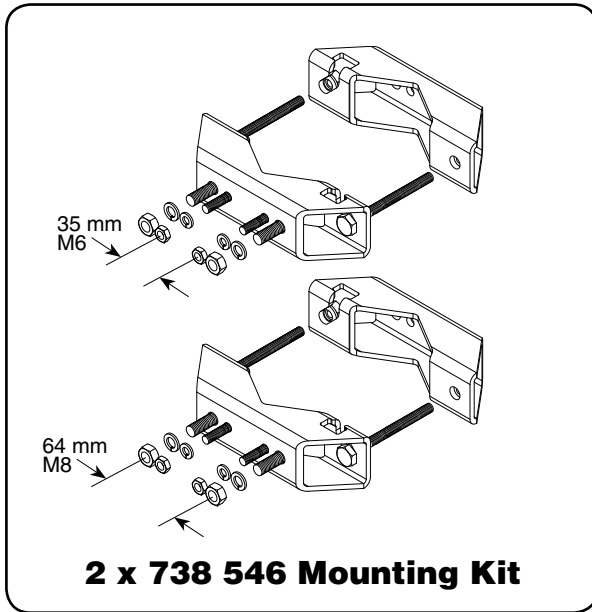
| Specifications:   | 1710–1880 MHz     | 1850–1990 MHz     | 1920–2200 MHz     | 2200–2490 MHz     | 2490–2690 MHz    |
|---|-------------------|-------------------|-------------------|-------------------|------------------|
| Gain at 0° tilt   | 16.7 dBi          | 17.4 dBi          | 17.8 dBi          | 17.8 dBi          | 17 dBi           |
| Front-to-back ratio (copolar)                           | >28 dB            | >30 dB            | >30 dB            | >26 dB            | >25 dB           |
| +45° and -45° polarization horizontal beamwidth         | 68° (half-power)  | 68° (half-power)  | 66° (half-power)  | 66° (half-power)  | 65° (half-power) |
| +45° and -45° polarization vertical beamwidth           | 6.7° (half-power) | 6.4° (half-power) | 6.1° (half-power) | 5.5° (half-power) | 5° (half-power)  |
| Sidelobe suppression for first sidelobe above main beam | >14 dB            | >15 dB            | >16 dB            | >16 dB            | >15 dB           |
| Cross polar ratio                                       |                   |                   |                   |                   |                  |
| Main direction  | 0°                | 20 dB (typical)   | 20 dB (typical)   | 20 dB (typical)   | 20 dB (typical)  |
| Sector  | ±60°              | >8 dB             | >10 dB            | >10 dB            | >8 dB            |



11185-A  
936.3373

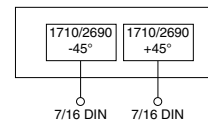
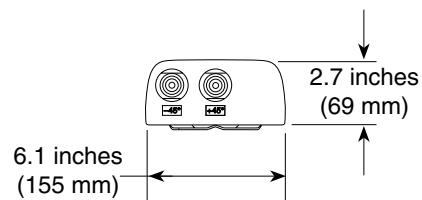


\* Mechanical design is based on environmental conditions as stipulated in EIA-222-F (June 1996) and/or ETS 300 019-1-4 which include the static mechanical load imposed on an antenna by wind at maximum velocity. See the Engineering Section of the catalog for further details.



**Mounting Options:**

| Model       | Description  |
|-------------|--|
| 2 x 738 546 | Mounting Kit for 2 to 5.7 inch (50 to 145 mm) OD mast.                       |
| 742 263     | Three-panel Sector Mounting Kit (120 deg. ea.) for 3.5 inch (89 mm) OD mast. |
| 850 10013   | Tilt Kit for use with the above mounting kits, 0–16 degrees downtilt angle.  |



**Order Information:**

| Model     | Description                          |
|-----------|--------------------------------------|
| 800 10471 | Antenna with 2 x 7-16 DIN connectors |

All specifications are subject to change without notice. The latest specifications are available at [www.kathrein-scala.com](http://www.kathrein-scala.com).

Kathrein Inc., Scala Division Post Office Box 4580 Medford, OR 97501 (USA) Phone: (541) 779-6500 Fax: (541) 779-3991  
Email: [communications@kathrein.com](mailto:communications@kathrein.com) Internet: [www.kathrein-scala.com](http://www.kathrein-scala.com)