

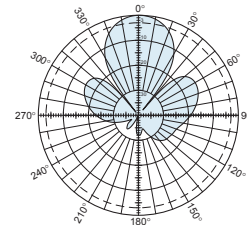
- X-polarized (+45° and -45°).
- UV resistant fiberglass radomes.
- Wideband vector dipole technology.
- DC Grounded metallic parts for impulse suppression.

**General specifications:**

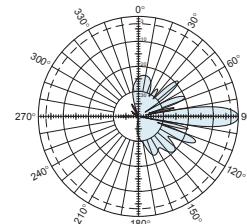
Frequency range	790–960 MHz
VSWR	<1.5:1
Impedance	50 ohms
Intermodulation (2x20w)	IM3: <-150 dBc
Polarization	+45° and -45°
Maximum input power	500 watts per input (at 50°C)
Connector	2 x 7-16 DIN female
Isolation	>30 dB
Tracking, average	2.5 dB
Squint	±2.0°
Weight	48.5 lb (22 kg) 52.9 lb (24 kg) clamps included
Dimensions	88.7 x 22.7 x 3.9 inches (2254 x 576 x 99 mm)
Wind load	at 93 mph (150kph)
Front/Side/Rear	396 lbf / 75 lbf / 459 lbf (1760 N) / (330 N) / (2040 N)
Mounting category	H (Heavy)
Wind survival rating*	120 mph (200 kph)
Shipping dimensions	98.4 x 23.6 x 5.9 inches (2500 x 600 x 150 mm)
Shipping weight	61.7 lb (28 kg)
Mounting	Fixed mounts for 2 to 4.6 inch (50 to 115 mm) OD masts are included and tilt options are available.

See reverse for order information.

\* Mechanical design is based on environmental conditions as stipulated in EIA-222-G-2 (December 2009) and/or ETS 300 019-1-4 which include the static mechanical load imposed on an antenna by wind at maximum velocity. See the Engineering Section of the catalog for further details.



Horizontal pattern  
±45°-polarization

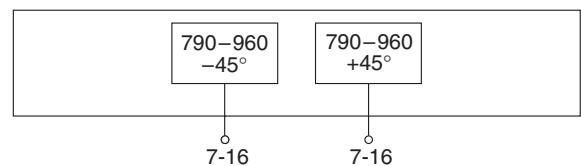
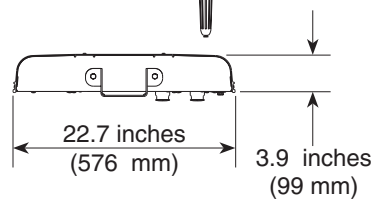
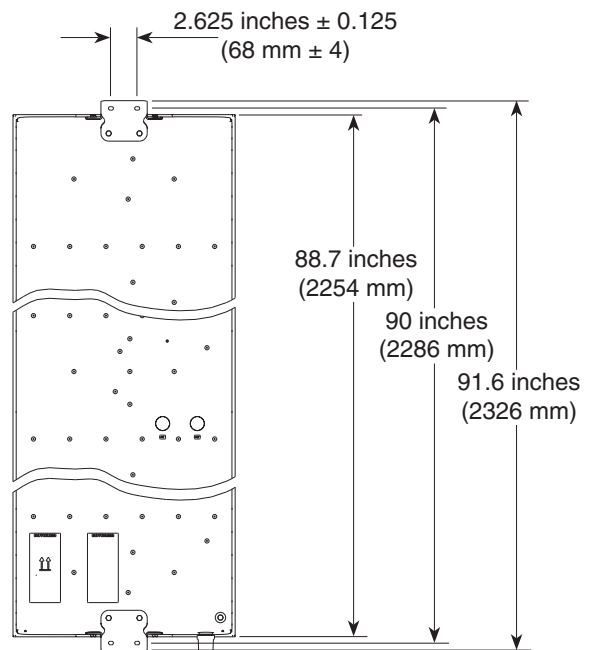
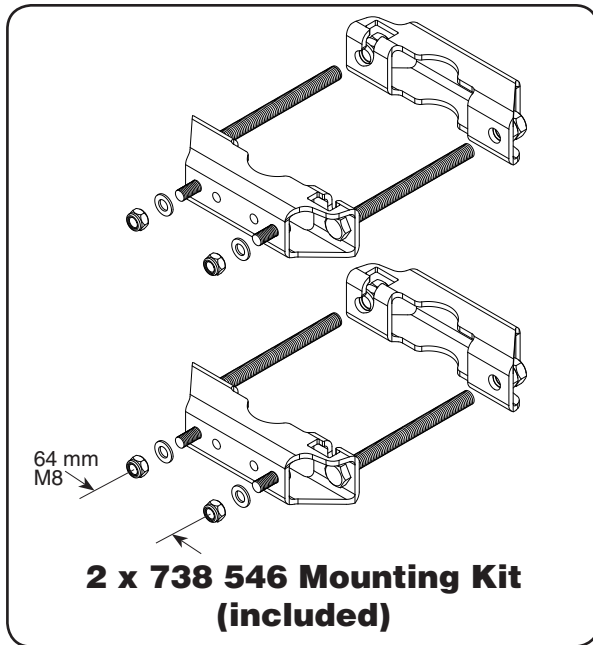


Vertical pattern  
±45°-polarization  
0°–10° electrical downtilt



Specifications:	790–862 MHz	824–894 MHz	880–960 MHz
Average gain	20 dbi	20.2 dbi	20.5 dbi
Front-to-back ratio	>28 dB (co-polar)	>29 dB (co-polar)	>30 dB (co-polar)
Horizontal beamwidth	33° (half-power)	32° (half-power)	30° (half-power)
Vertical beamwidth	9.1° (half-power)	8.8° (half-power)	8.5° (half-power)
Electrical downtilt continuously adjustable	0.5°–10° (manual or optional remote control)	0.5°–10°	0.5°–10°
Sidelobe suppression for:	0° 5° 10° T	0° 5° 10° T	0° 5° 10° T
First sidelobe above main beam	>16 >13 >13 dB	>18 >18 >17 dB	>18 >16 >15 dB
Cross polar ratio			
Main direction	0° 25 dB (typical)	23 dB (typical)	20 dB (typical)





**Mounting Options:**

Model	Description
2 x 738 546 (included)	Mounting Kit for 2 to 4.6 inch (50 to 115 mm) OD mast. 4.4 lb (2 kg)
850 10007	Tilt Mount Kit 0-10 degrees downtilt angle.

**Order Information:**

Model	Description
800 10456V02	Antenna with 7-16 DIN connectors

All specifications are subject to change without notice. The latest specifications are available at [www.kathrein-scala.com](http://www.kathrein-scala.com).

Kathrein Inc., Scala Division Post Office Box 4580 Medford, OR 97501 (USA) Phone: (541) 779-6500 Fax: (541) 779-3991  
Email: [communications@kathrein.com](mailto:communications@kathrein.com) Internet: [www.kathrein-scala.com](http://www.kathrein-scala.com)