

Kathrein wideband X-polarized antennas are designed for use in PCS and 3G/UMTS polarization diversity systems.

- X-polarized (+45° and -45°).
- UV resistant pulltruded radomes.
- Wideband vector dipole technology.
- DC Grounded metallic parts for impulse suppression.

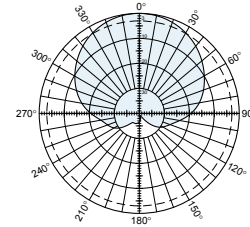
General specifications:

Frequency range	1710–2200 MHz
VSWR	<1.5:1
Impedance	50 ohms
Intermodulation (2x20w)	IM3: <-150 dBc
Polarization	+45° and -45°
Connector	2 x 7-16 DIN female
Isolation, between ports	>30 dB
Maximum input power	300 watts (at 50°C) per input
Sidelobe suppression for first sidelobe above main beam	>15 dB
0° –30° sector above horizon	>15 dB
First null-fill below main beam	< 20 dB
Tracking, average	0.5 dB
Squint	±1.0°
Weight	25.4 lb (11.5 kg) 29.8 lb (13.5 kg) clamps included
Dimensions	85.5 x 6.1 x 3.5 inches (2172 x 155 x 89 mm)
Wind load	at 93 mph (150kph)
Front/Side/Rear	124 lbf / 48 lbf / 138 lbf (550 N) / (210 N) / (610 N)
Mounting category	M (Medium)
Wind survival rating*	120 mph (200 kph)
Shipping dimensions	92.1 x 6.8 x 4.8 inches (2340 x 172 x 122 mm)
Shipping weight	34.2 lb (15.5 kg)
Mounting	Fixed mounts for 2 to 4.6 inch (50 to 115 mm) OD masts are included and tilt options are available.

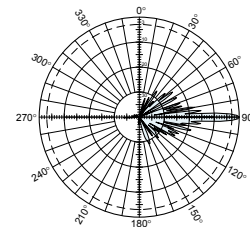
See reverse for order information.

Specifications:	1710–1880 MHz	1850–1990 MHz	1920–2170 MHz	2000–2200 MHz
Gain	20.5 dBi	20.8 dBi	21.1 dBi	21.2 dBi
+45° and -45° polarization horizontal beamwidth	66° (half-power)	63° (half-power)	60° (half-power)	58° (half-power)
+45° and -45° polarization vertical beamwidth	4.2° (half-power)	4° (half-power)	3.7° (half-power)	3.5° (half-power)
Front-to-back ratio (180°±30°)	>30 dB	>30 dB	>30 dB	>30 dB
Cross polar ratio				
Main direction	0°	23 dB	23 dB	23 dB
Sector	±60°	>12 dB	>10 dB	>10 dB

* Mechanical design is based on environmental conditions as stipulated in TIA-222-G-2 (December 2009) and/or ETS 300 019-1-4 which include the static mechanical load imposed on an antenna by wind at maximum velocity. See the Engineering Section of the catalog for further details.



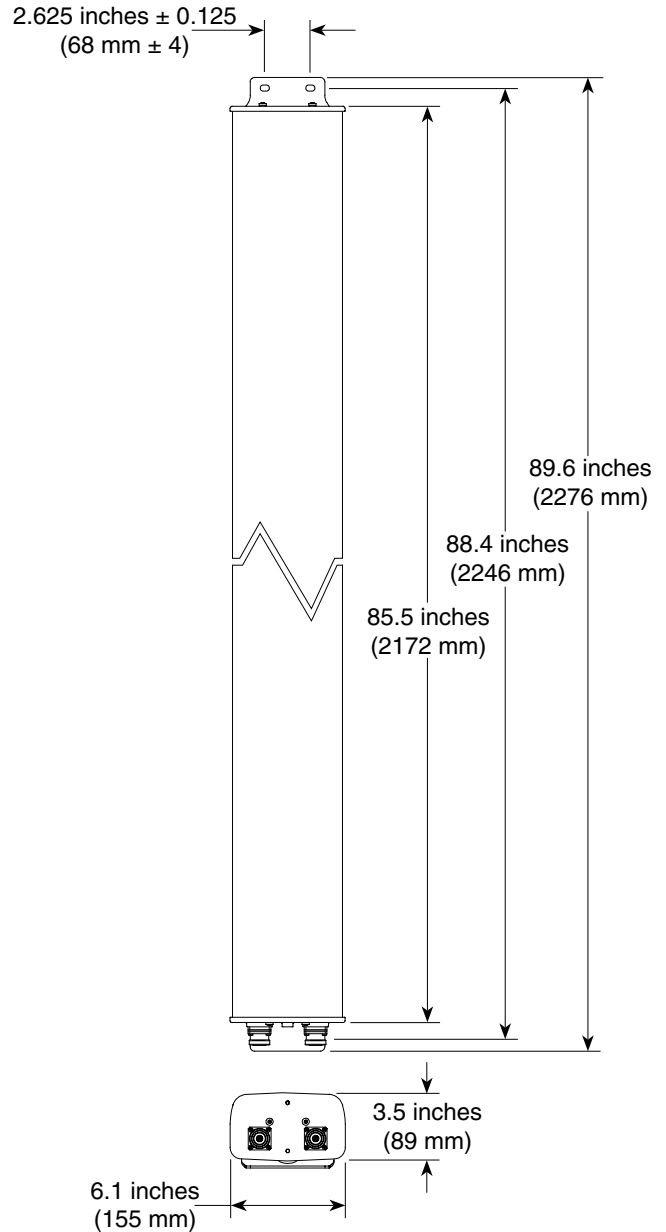
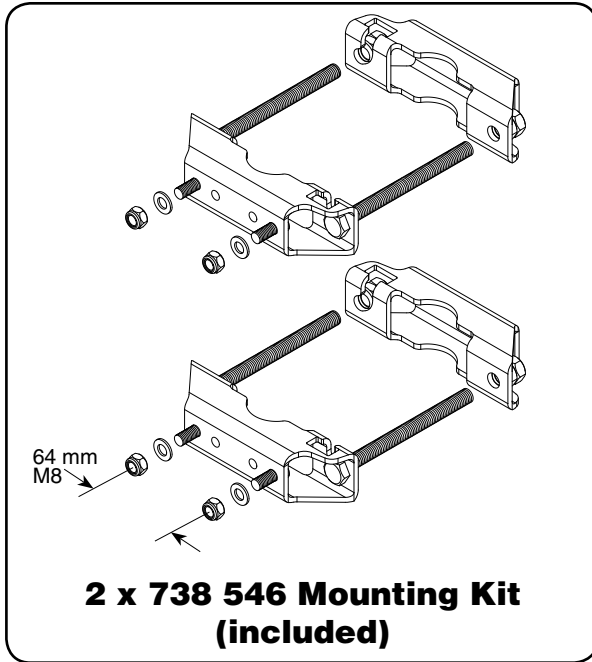
Horizontal pattern
±45°- polarization



Vertical pattern
±45°- polarization



11270-A
936.3815/a



Mounting Options:

Model	Description
2 x 738 546 (included)	Mounting Kit for 2 to 4.6 inch (50 to 115 mm) OD mast. 4.4 lb (2 kg)
850 10013	Tilt Mount Kit 0–9 degrees downtilt angle. 7.4 lb (3.7 kg)
742 263	Three-panel Sector Mounting Kit (120 deg. ea.) for 3.5 inch (89 mm) OD mast.

Order Information:

Model	Description
800 10439V01	Antenna with 2 x 7-16 DIN connectors

All specifications are subject to change without notice. The latest specifications are available at www.kathrein-scala.com.