

Omnidirectional Antenna
380–400 MHz

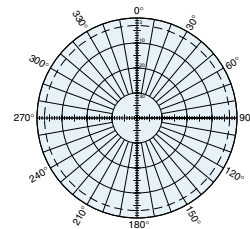
Kathrein's omnidirectional antennas incorporate the quality design and attention to detail that have established our entire line of professional base station antennas as industry leaders. These antennas feature:

- Proven, solid construction, with special attention directed towards the custom fiberglass radome which provides superior stiffness and low tip deflection at wind velocities of up to 120 mph.
- Superior electrical performance, with low VSWR, wide bandwidth, flat frequency response, and extremely low intermodulation products.
- Excellent DC grounding from the solid metal tip to the base.
- Simple, integrated mast attachment system, consists of only two V-bolts, which connect directly to the base.

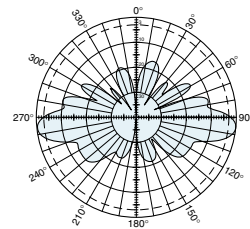
Specifications:

Frequency range	380–400 MHz
Gain	8 dBi
Impedance	50 ohms
VSWR	< 1.5:1
Intermodulation (2x20w)	IM3: < -150 dBc
Polarization	Vertical
Maximum input power	500 watts (at 50°C)
H-plane beamwidth	Omni
E-plane beamwidth	14 degrees (half power)
Electrical downtilt	5 degrees
Connector	7-16 DIN female
Weight	18.7 lb (8.5 kg)
Height	129.2 inches (3282 mm)
Radome diameter	2 inches (51 mm)
Wind load	at 93 mph (150kph) 52 lbf / 230 N)
Wind survival rating*	110 mph (180 kph)
Shipping dimensions	139.8 x 5.8 x 4.4 inches (3550 x 148 x 112 mm)
Shipping weight	23.1 lb (10.5 kg)
Mounting	For masts of 2 to 3.7 inch (50 to 94 mm) OD.

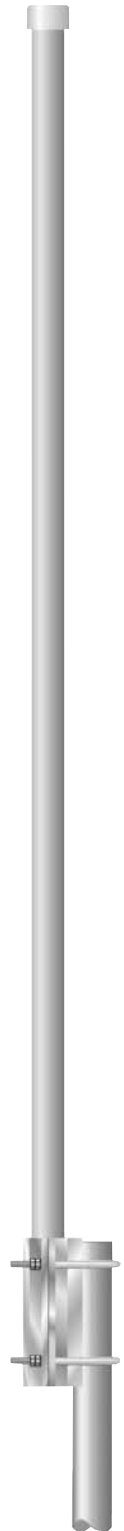
* Mechanical design is based on environmental conditions as stipulated in EIA-222-F (June 1996) and/or ETS 300 019-1-4 which include the static mechanical load imposed on an antenna by wind at maximum velocity. See the Engineering Section of the catalog for further details.



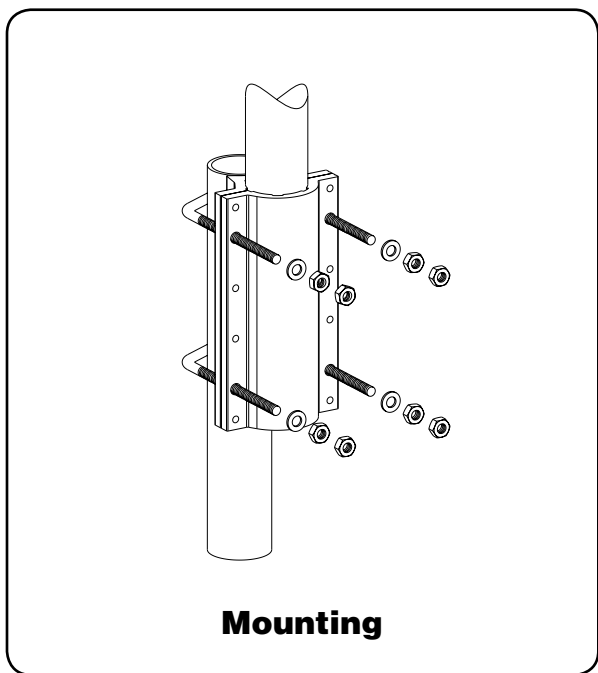
H-plane
Horizontal pattern – V-polarization



E-plane
Vertical pattern – V-polarization



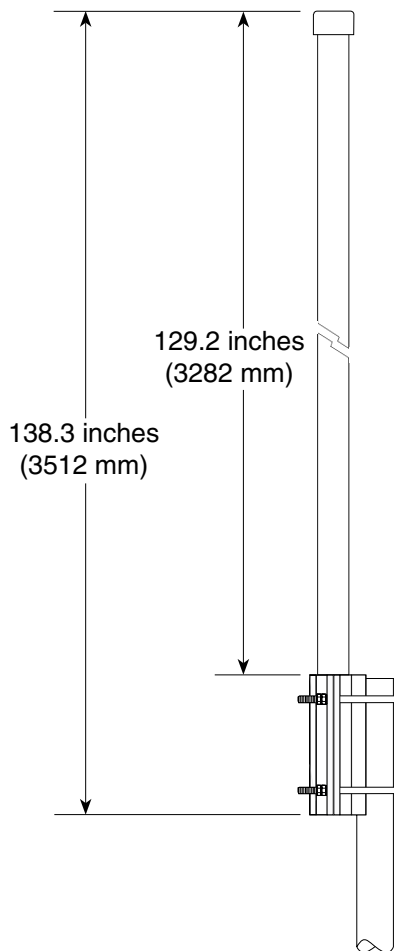
11062-C
936.2901/b



Mounting

Description

Mounting for 2 to 3.7 inch (50 to 94 mm) OD mast



Order Information:

Model	Description
800 10434	Antenna with 7/16 DIN female connector

All specifications are subject to change without notice. The latest specifications are available at www.kathrein-scala.com.