

- X-polarized (+45° and -45°).
- UV resistant pulltruded radomes.
- Wideband vector dipole technology.
- DC Grounded metallic parts for impulse suppression.



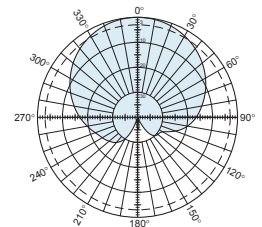
General specifications:

Frequency range	1710–2200 MHz
VSWR	<1.4:1
Impedance	50 ohms
Intermodulation (2x20w)	IM3: < -150 dBc
Polarization	+45° and -45°
Connector	2 x 7-16 DIN female
Electrical downtilt	2 degrees
Isolation	>30 dB
Maximum input power	300 watts (at 50°C) per input
Tracking, average	0.5 dB
Squint	±1.5°
Weight	15.4 lb (7 kg) 19.8 lb (9 kg) clamps included
Dimensions	51.3 x 6.1 x 2.7 inches (1302 x 155 x 69 mm)
Wind load Front/Side/Rear	at 93 mph (150kph) 75 lbf / 26 lbf / 88 lbf (330 N) / (115 N) / (390 N)
Mounting category	M (Medium)
Wind survival rating*	120 mph (200 kph)
Shipping dimensions	56.9 x 6.8 x 3.6 inches (1445 x 172 x 92 mm)
Shipping weight	22 lb (10 kg)
Mounting	Fixed mounts for 2 to 4.6 inch (50 to 115 mm). OD masts are included and tilt options are available.

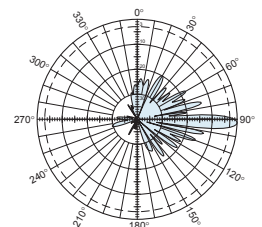
See reverse for order information.

Specifications:	1710–1880 MHz	1850–1990 MHz	1920–2200 MHz
Gain	17.9 dBi	18.1 dBi	18.3 dBi
+45° and -45° polarization horizontal beamwidth	66° (half-power)	65° (half-power)	63° (half-power)
+45° and -45° polarization vertical beamwidth	6.6° (half-power)	6.2° (half-power)	5.8° (half-power)
Front-to-back ratio	>28 dB (co-polar)	>30 dB (co-polar)	>33 dB (co-polar)
Sidelobe suppression for first sidelobe above main beam	>14 dB	>15 dB	>15 dB
First null-fill below main beam	25 dB (typical)	25 dB (typical)	25 dB (typical)
Cross polar ratio			
Main direction	0°	20 dB (typical)	20 dB (typical)
Sector	±60°	>10 dB	>10 dB

* Mechanical design is based on environmental conditions as stipulated in TIA-222-G-2 (December 2009) and/or ETS 300 019-1-4 which include the static mechanical load imposed on an antenna by wind at maximum velocity. See the Engineering Section of the catalog for further details.



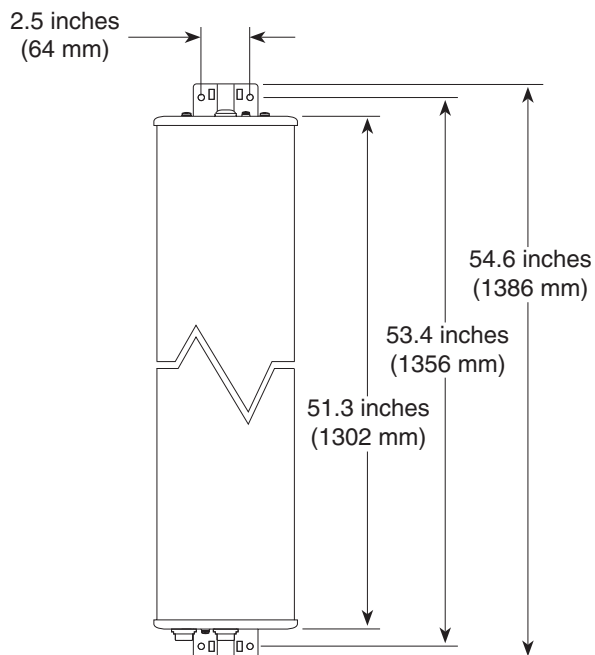
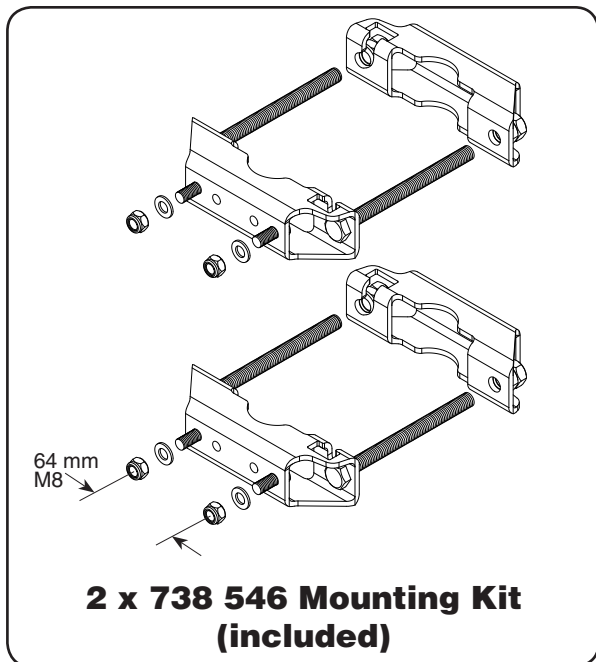
Horizontal pattern
±45°- polarization



Vertical pattern
±45°- polarization
2° electrical downtilt

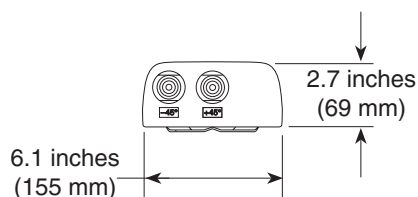


11303-A
936.3983/a

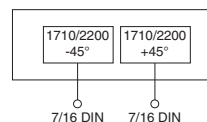


Mounting Options:

Model	Description
2 x 738 546 (included)	Mounting Kit for 2 to 4.6 inch (50 to 115 mm) OD mast. 4.4 lb (2 kg)
742 263	Three-panel Sector Mounting Kit (120 deg. ea.) for 3.5 inch (89 mm) OD mast.
850 10013	Tilt Mount Kit 0–10 degrees downtilt angle. 7.4 lb (3.7 kg)



Profile PF5



Order Information:

Model	Description
800 10426V01	Antenna with 2 x 7-16 DIN connectors

All specifications are subject to change without notice. The latest specifications are available at www.kathrein-scala.com.

Kathrein Inc., Scala Division Post Office Box 4580 Medford, OR 97501 (USA) Phone: (541) 779-6500 Fax: (541) 779-3991
Email: communications@kathrein.com Internet: www.kathrein-scala.com