

Kathrein wideband X-polarized antennas are designed for use in PCS and 3G/UMTS polarization diversity systems.

- X-polarized (+45° and -45°).
- UV resistant pulltruded radomes.
- Wideband vector dipole technology.
- DC Grounded metallic parts for impulse suppression.

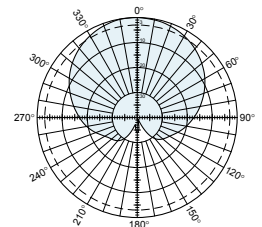
**General specifications:**

Frequency range	1710–2200 MHz
VSWR	<1.4:1
Impedance	50 ohms
Intermodulation (2x20w)	IM3: < -150 dBc
Polarization	+45° and -45°
Connector	2 x 7-16 DIN female
Isolation	>30 dB
Maximum input power	300 watts (at 50°C) per input
Tracking, average	0.5 dB
Squint	±1.5°
Weight	15.4 lb (7 kg) 19.8 lb (9 kg) clamps included
Dimensions	51.3 x 6.1 x 2.7 inches (1302 x 155 x 69 mm)
Wind load Front/Side/Rear	at 93 mph (150kph) 75 lbf / 26 lbf / 88 lbf (330 N) / (115 N) / (390 N)
Mounting category	M (Medium)
Wind survival rating*	120 mph (200 kph)
Shipping dimensions	56.9 x 6.8 x 3.6 inches (1445 x 172 x 92 mm)
Shipping weight	22.5 lb (10.2 kg)
Mounting	Fixed mounts for 2 to 4.6 inch (50 to 115 mm) OD masts are included and tilt options are available.

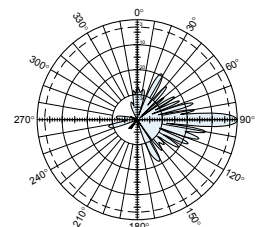
See reverse for order information.

Specifications:	1710–1880 MHz	1850–1990 MHz	1920–2200 MHz
Gain	17.9 dBi	18.1 dBi	18.3 dBi
+45° and -45° polarization horizontal beamwidth	67° (half-power)	66° (half-power)	64° (half-power)
+45° and -45° polarization vertical beamwidth	6.6° (half-power)	6.2° (half-power)	5.8° (half-power)
Front-to-back ratio	>30 dB (co-polar)	>30 dB (co-polar)	>30 dB (co-polar)
Sidelobe suppression for first sidelobe above main beam	>14 dB	>15 dB	>16 dB
First null-fill below main beam	25 dB (typical)	25 dB (typical)	25 dB (typical)
Cross polar ratio			
Main direction	0°	20 dB (typical)	20 dB (typical)
Sector	±60°	>10 dB	>10 dB

\* Mechanical design is based on environmental conditions as stipulated in TIA-222-G-2 (December 2009) and/or ETS 300 019-1-4 which include the static mechanical load imposed on an antenna by wind at maximum velocity. See the Engineering Section of the catalog for further details.



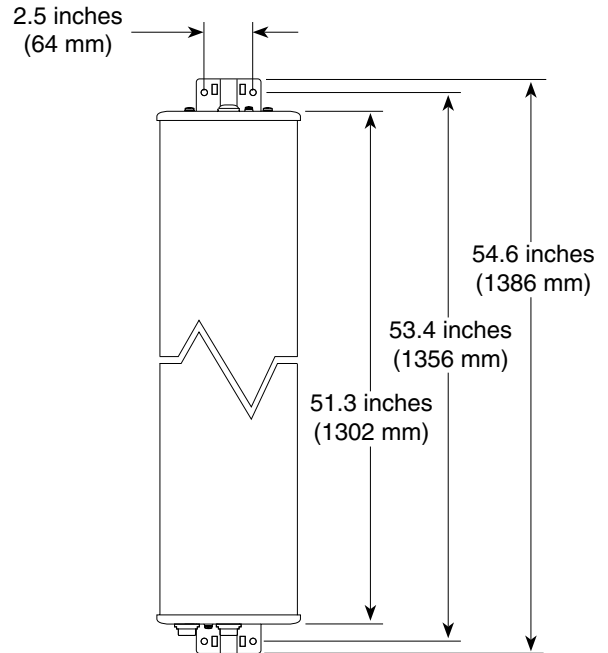
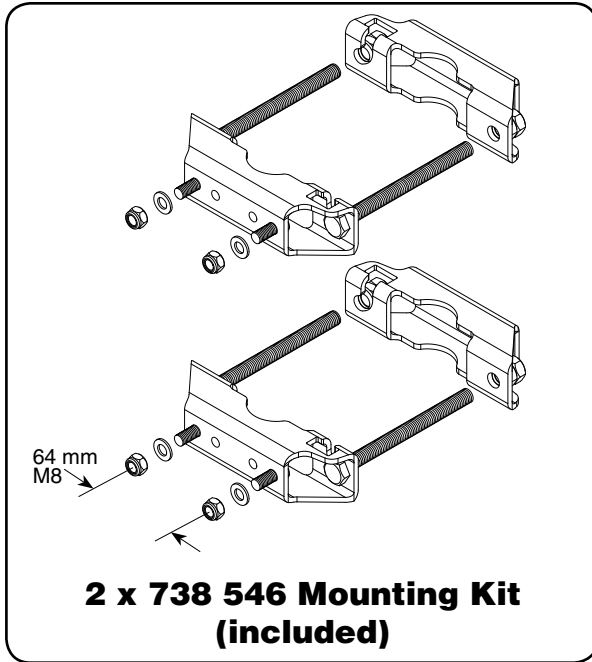
Horizontal pattern  
±45°- polarization



Vertical pattern  
±45°- polarization

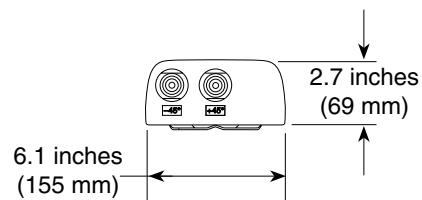


11269-A  
936.3818/a

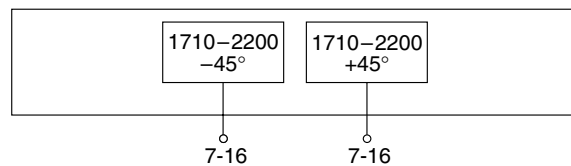


**Mounting Options:**

Model	Description
2 x 738 546 (included)	Mounting Kit for 2 to 4.6 inch (50 to 115 mm) OD mast. 4.4 lb (2 kg)
742 263	Three-panel Sector Mounting Kit (120 deg. ea.) for 3.5 inch (89 mm) OD mast.
850 10013	Locking Tilt Mount Kit 0-16 degrees downtilt angle. 7.4 lb (3.7 kg)



Profile PF5



**Order Information:**

Model	Description
800 10425V01	Antenna with 2 x 7-16 DIN connectors

All specifications are subject to change without notice. The latest specifications are available at [www.kathrein-scala.com](http://www.kathrein-scala.com).