

Kathrein wideband X-polarized antennas are designed for use in PCS and 3G/UMTS polarization diversity systems.

- X-polarized (+45° and -45°).
- UV resistant pulltruded radomes.
- Wideband vector dipole technology.
- DC Grounded metallic parts for impulse suppression.



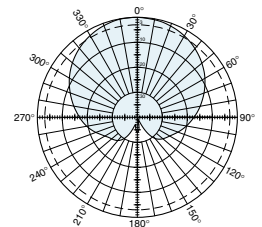
**General specifications:**

Frequency range	1710–2200 MHz
VSWR	<1.4:1
Impedance	50 ohms
Intermodulation (2x20w)	IM3: < -150 dBc
Polarization	+45° and -45°
Connector	2 x 7-16 DIN female
Isolation	>30 dB
Maximum input power	300 watts (at 50°C) per input
Weight	14.6 lb (6.6 kg)
Dimensions	51.3 x 6.1 x 2.7 inches (1302 x 155 x 69 mm)
Wind load Front/Side/Rear	at 93 mph (150kph) 79 lbf / 23 lbf / 93 lbf (350 N) / (100 N) / (410 N)
Wind survival rating*	120 mph (200 kph)
Shipping dimensions	55.3 x 6.8 x 3.6 inches (1404 x 172 x 92 mm)
Shipping weight	17.2 lb (7.8 kg)
Mounting	Fixed and tilt mount options are available for 2 to 4.6 inch (50 to 115 mm) OD masts.

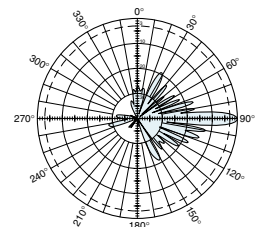
*See reverse for order information.*

<b>Specifications:</b>	<b>1710–1880 MHz</b>	<b>1850–1990 MHz</b>	<b>1920–2200 MHz</b>
Gain	17.9 dBi	18.1 dBi	18.3 dBi
+45° and -45° polarization horizontal beamwidth	67° (half-power)	66° (half-power)	64° (half-power)
+45° and -45° polarization vertical beamwidth	6.6° (half-power)	6.2° (half-power)	5.8° (half-power)
Front-to-back ratio	>30 dB (co-polar)	>30 dB (co-polar)	>30 dB (co-polar)
Sidelobe suppression for first sidelobe above main beam	>14 dB	>15 dB	>16 dB
First null-fill below main beam	25 dB (typical)	25 dB (typical)	25 dB (typical)
Cross polar ratio Main direction	0°	20 dB (typical)	20 dB (typical)
Sector	±60°	>10 dB	>10 dB

\* Mechanical design is based on environmental conditions as stipulated in TIA-222-G-2 (December 2009) and/or ETS 300 019-1-4 which include the static mechanical load imposed on an antenna by wind at maximum velocity. See the Engineering Section of the catalog for further details.

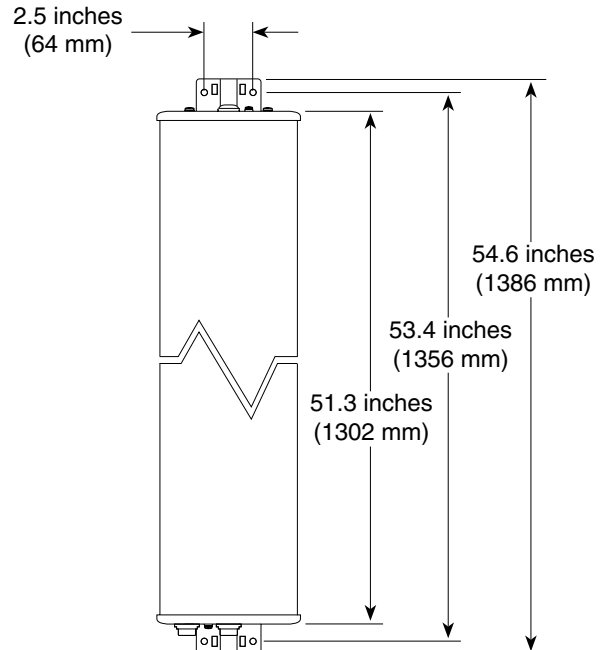
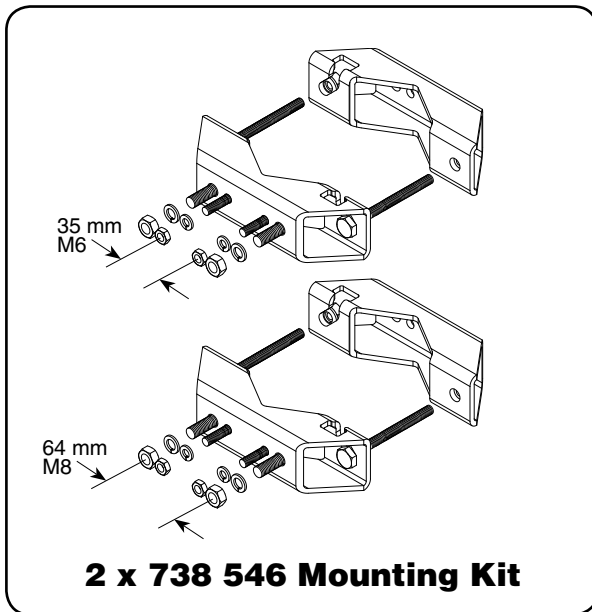


Horizontal pattern  
±45°- polarization



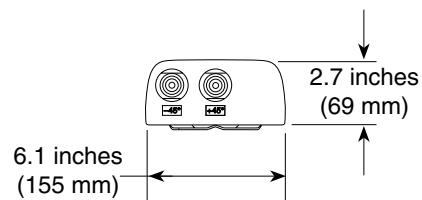
Vertical pattern  
±45°- polarization



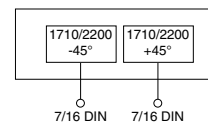


**Mounting Options:**

Model	Description
2 x 738 546	Mounting Kit for 2 to 4.6 inch (50 to 115 mm) OD mast.
742 263	Three-panel Sector Mounting Kit (120 deg. ea.) for 3.5 inch (89 mm) OD mast.
850 10013	Locking Tilt Mount Kit 0–16 degrees downtilt angle.



Profile PF5



**Order Information:**

Model	Description
800 10425	Antenna with 2 x 7-16 DIN connectors

All specifications are subject to change without notice. The latest specifications are available at [www.kathrein-scala.com](http://www.kathrein-scala.com).

Kathrein Inc., Scala Division Post Office Box 4580 Medford, OR 97501 (USA) Phone: (541) 779-6500 Fax: (541) 779-3991  
Email: [communications@kathrein.com](mailto:communications@kathrein.com) Internet: [www.kathrein-scala.com](http://www.kathrein-scala.com)